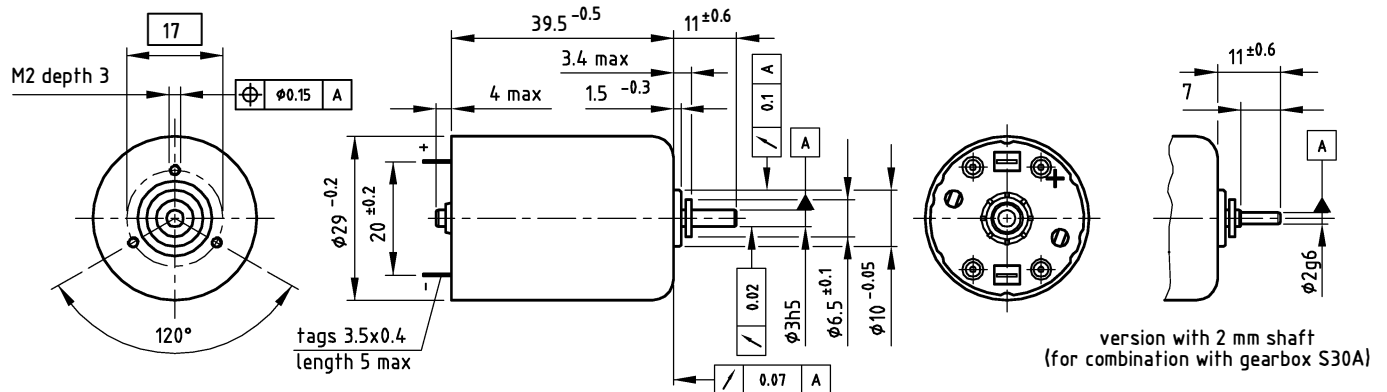


CL29

Coreless DC motor

3 Watt

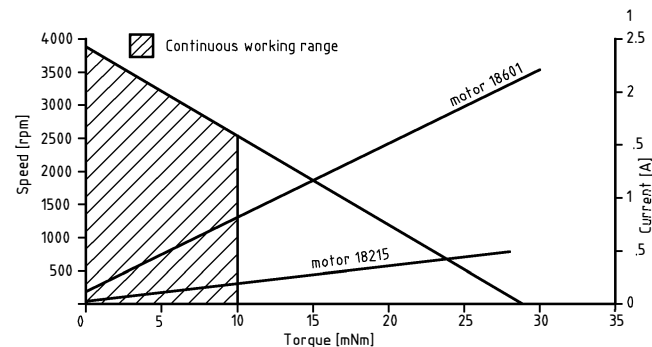
Dimensional drawing



Motor data

Motor order number	shaft $\phi 3$ mm	9904 120 +	18601	18602	18603	18105	18605	18606	18215
	shaft $\phi 2$ mm	9904 120 +	18611	18612	18613	18614	18615	18616	18617
Nominal Voltage	[V]	6	7.2	9	12	15	18	24	
Nominal Torque	[mNm]	10	10	10	10	10	10	10	10
Nominal Speed	[rpm]	2680	2550	2680	2440	2380	2680	2470	
Nominal Current	[mA]	775	620	515	370	290	260	185	
No load Speed	[rpm]	4010	3850	3990	3840	3750	4010	3840	
No load Current	[mA]	67	52	45	31	24	22	16	
EMF at 3000 rpm	[V]	4.35	5.44	6.53	9.07	11.6	13.1	18.1	
Torque constant	[mNm/A]	13.9	17.3	20.8	28.9	37.0	41.6	57.7	
Terminal Resistance	[Ohm]	2.7	4.2	6.1	12.5	20.1	24.5	49.0	
Starting Torque at nominal Voltage	[mNm]	30	30	30	27	27	30	28	
Starting Current at nominal Voltage	[A]	2.21	1.73	1.47	0.96	0.75	0.73	0.49	
Rotor Inductance	[mH]	0.20	0.32	0.46	0.89	1.46	1.84	3.55	
Rotor Moment of Inertia	[kgm ²]	0.9×10^{-6}	0.9×10^{-6}	0.9×10^{-6}	0.9×10^{-6}	0.9×10^{-6}	0.9×10^{-6}	0.9×10^{-6}	0.9×10^{-6}
Mechanical time constant	[ms]	13	13	13	13	13	13	13	
Thermal resistance winding-housing	[K/W]	5.2	5.2	5.2	5.2	5.2	5.2	5.2	
Thermal resistance housing-ambient	[K/W]	16.3	16.3	16.3	16.3	16.3	16.3	16.3	

Performance curve



General data

*	Type of bearings	sleeve	
*	Commutation system	precious metal	
*	Maximum radial load 10 mm from mounting front	5	N
*	Maximum axial load	0.5	N
*	Ambient temp. range operating	-10/+60	°C
*	Ambient temp. range storage	-40/+70	°C
*	Mass of motor	125	g

Product combinations

- * Gearbox P32A
- * Gearbox S30A (use motor with 2 mm shaft)
- * Gearbox S38A
- * Gearbox S49A

Options

- * Ball bearings
- * Connecting wires
- * Integrated EMI suppression
- * Tacho
- * Special shafts
- * Other supply voltages
- * Encoder