

RZ-8BAWA



Carbon-brush motors

OUTPUT : 12W~400W (APPROX)

WEIGHT : 470g (APPROX)

Typical Applications Cordless Power Tools

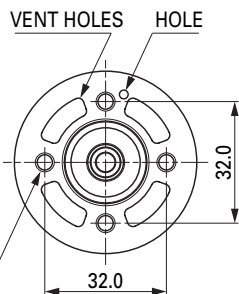
MODEL	VOLTAGE		NO LOAD		AT MAXIMUM EFFICIENCY				STALL			
	OPERATING RANGE	NOMINAL	SPEED r/min	CURRENT A	SPEED r/min	CURRENT A	TORQUE mN-m	TORQUE g-cm	OUTPUT W	TORQUE mN-m	TORQUE g-cm	CURRENT A
RZ-8BAWA-AWG19.5×9 (*1)	18~35	19.8V+0.11Ω	20200	4.60	16870	23.0	168	1716	297	1020	10400	116
RZ-8BAWA-AWG20.5×13 (*1)	18~35	28V+0.105Ω	20200	3.30	17570	22.8	240	2444	441	1844	18800	153

AWG : American Wire Gauge

(*1) CCW shifted commutation (CCW+)

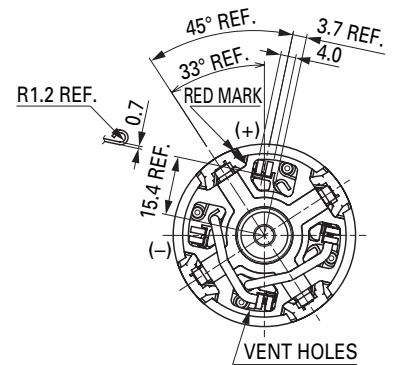
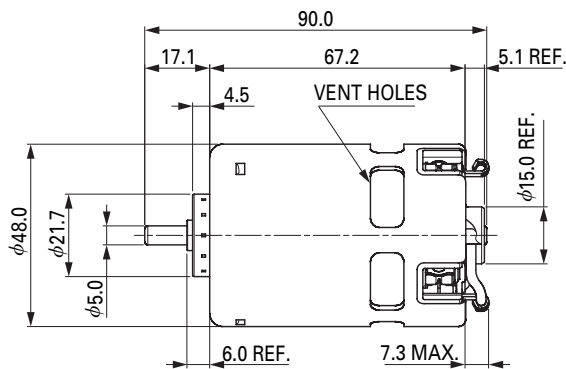
CCW+

DIRECTION OF ROTATION



ISO M5×0.8 TAPPED HOLE
4 PLACES

Usable machine screw length 3.5 max. from motor mounting surface.



UNIT: MILLIMETERS

RZ-8BAWA-AWG19.5×9

19.8V+0.11Ω

RZ-8BAWA-AWG20.5×13

28V+0.105Ω

