

## PBG60K Series (□60 mm)

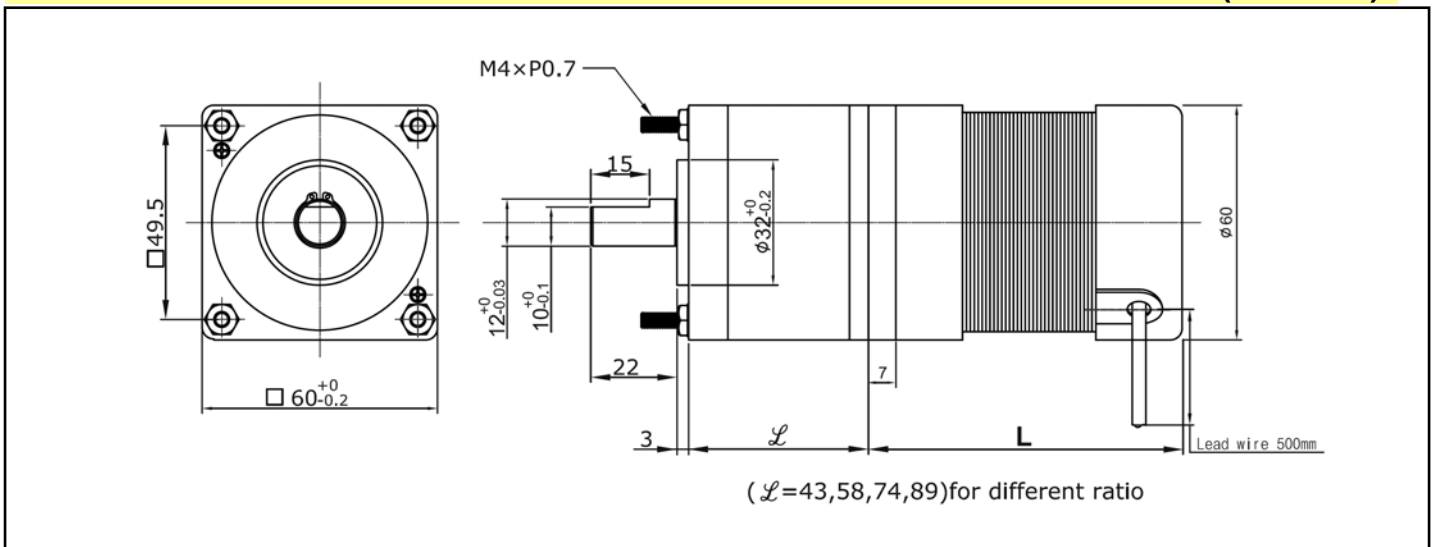
### MOTOR FEATURE:

- RATED OUTPUT POWER : 5~80W
- RATED VOLTAGE : 12~220VDC
- OPERATIONAL SPEED : 1~1000RPM
- MAX. OUTPUT POWER : 240W
- Sleeve/Steel Ball bearing for option
- Replaceable Brush Type for option
- Pinion shaft or other requirement for option



### Dimensions

(UNIT:mm)



### Typical Specifications (F =ferrite magnet, N= rare earth magnet)

MODEL	Rated						Weight (kg)	Length L (mm)
	Voltage (V)	Output (W)	Current (A)	Speed (RPM)	Torque (kgf-cm)	Rating		
PBG60K-N012005	12	5	0.7	1~1000	0.48~30	cont	0.8	53
PBG60K-N012010	12	10	1.4	1~1000	0.99~30	cont	0.9	63
PBG60K-N012020	12	20	2.8	1~1000	1.47~30	cont	1	73
PBG60K-N024010	24	10	0.7	1~1000	0.99~30	cont	0.8	53
PBG60K-N024020	24	20	1.3	1~1000	1.95~30	cont	0.9	63
PBG60K-N024050	24	50	3.5	1~1000	2.94~30	cont	1	73
PBG60K-N220020	220	20	0.4	1~1000	1.95~30	cont	0.8	53
PBG60K-N220040	220	40	0.7	1~1000	3.9~30	cont	0.9	63
PBG60K-N220080	220	80	1.2	1~1000	5.85~30	cont	1	73

- Pls discuss with us when you place an order non-standardized products such as voltage, speed and others.
- Mass production by standardizing the various types and manufacture the products with special size by order.
- Design or Motor spec. can be changed for quality improvement without any notice.