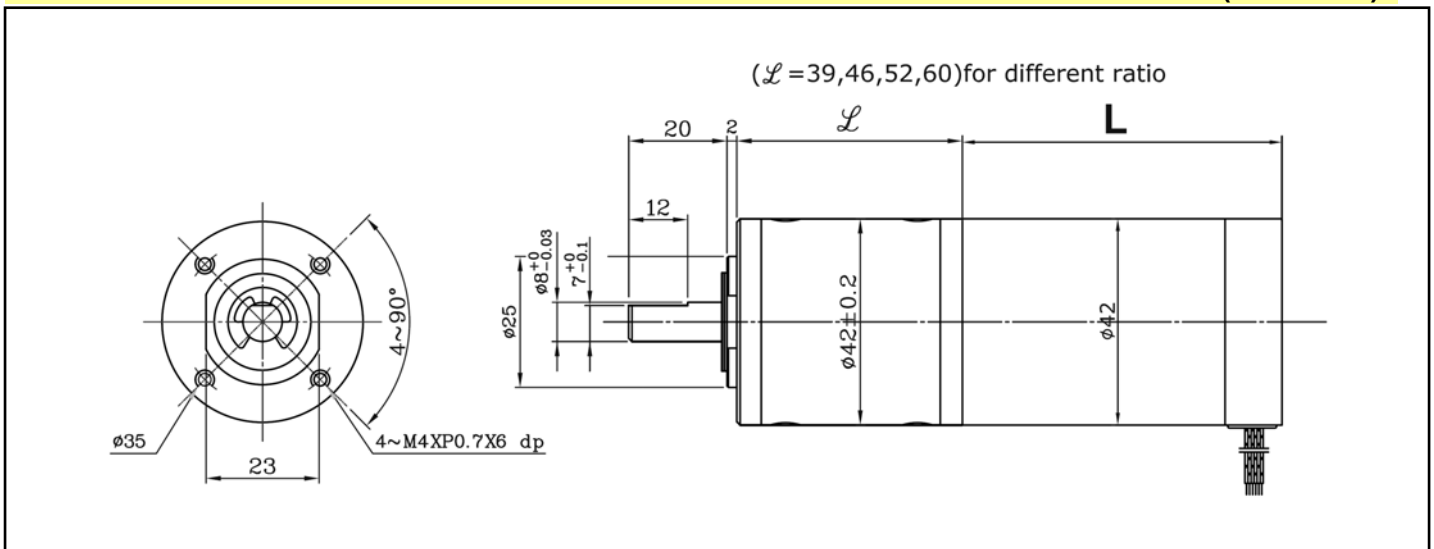


**PBG42 Series (Φ42mm)**
**MOTOR FEATURE:**

- RATED OUTPUT POWER : 5~15W
- RATED VOLTAGE : 12~24VDC
- OPERATIONAL SPEED : 3000RPM
- MAX. OUTPUT POWER : 45W
- Sleeve/Steel Ball bearing for option
- Replaceable Brush Type for option
- Pinion shaft or other requirement for option


**Dimensions**

(UNIT:mm)


**Typical Specifications (F = ferrite magnet, N = rare earth magnet)**

MODEL	Rated						Weight (kg)	Length L (mm)
	Voltage (V)	Output (W)	Current (A)	Speed (RPM)	Torque (kgf-cm)	Rating		
PBG42N-012005	12	5	0.5	1~1000	0.5~30	cont	0.7	61
PBG42N-012010	12	10	1	1~1000	0.97~30	cont	0.8	81
PBG42N-024005	24	5	0.25	1~1000	0.49~30	cont	0.7	61
PBG42N-024005	24	10	0.5	1~1000	0.97~30	cont	0.8	81
PBG42N-024005	24	15	0.8	1~1000	1.46~30	cont	0.8	81

- Pls discuss with us when you place an order non-standardized products such as voltage, speed and others.
- Mass production by standardizing the various types and manufacture the products with special size by order.
- Design or Motor spec. can be changed for quality improvement without any notice.