

## FBG80K Series (□80mm)

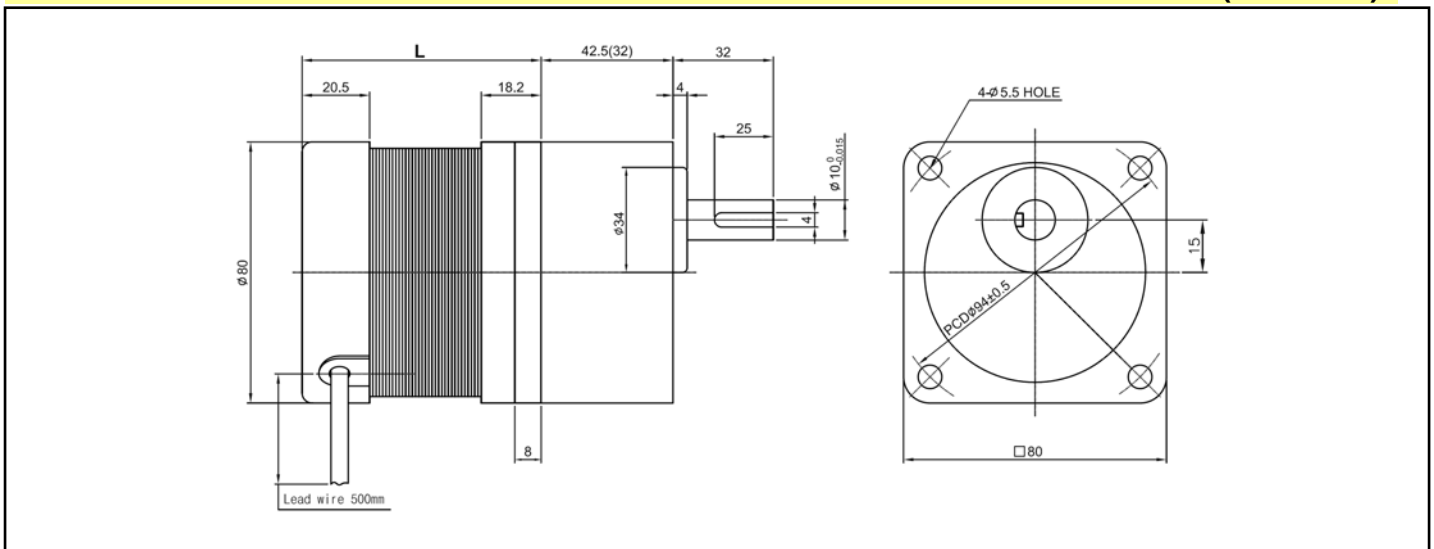
### MOTOR FEATURE:

- RATED OUTPUT POWER : 10~100W
- RATED VOLTAGE : 12~220VDC
- OPERATIONAL SPEED : 1~1000RPM
- MAX. OUTPUT POWER : 300W
- Sleeve/Steel Ball bearing for option
- Replaceable Brush Type for option
- Pinion shaft or other requirement for option



### Dimensions

(UNIT:mm)



### Typical Specifications (F =ferrite magnet, N= rare earth magnet)

MODEL	Rated						Weight (kg)	Length L (mm)
	Voltage (V)	Output (W)	Current (A)	Speed (RPM)	Torque (kgf-cm)	Rating		
FBG80K-N012010	12	10	1.4	1~1000	0.99~80	cont	1.9	53
FBG80K-N012020	12	20	2.8	1~1000	1.95~80	cont	2	63
FBG80K-N012040	12	40	4.2	1~1000	3.9~80	cont	2.1	73
FBG80K-N012060	12	60	6.3	1~1000	5.85~80	cont	2.1	73
FBG80K-N024015	24	15	1	1~1000	1.47~80	cont	1.9	53
FBG80K-N024040	24	40	2.1	1~1000	3.8~80	cont	2.1	73
FBG80K-N024060	24	60	3.1	1~1000	5.7~80	cont	2.1	73
FBG80K-N024080	24	80	4.2	1~1000	7.6~80	cont	2.1	73
FBG80K-N220040	220	40	0.4	1~1000	3.9~80	cont	1.9	53
FBG80K-N220060	220	60	0.5	1~1000	5.85~80	cont	2	63
FBG80K-N220100	220	100	0.8	1~1000	9.5~80	cont	2.1	73

- Pls discuss with us when you place an order non-standardized products such as voltage, speed and others.
- Mass production by standardizing the various types and manufacture the products with special size by order.
- Design or Motor spec. can be changed for quality improvement without any notice.