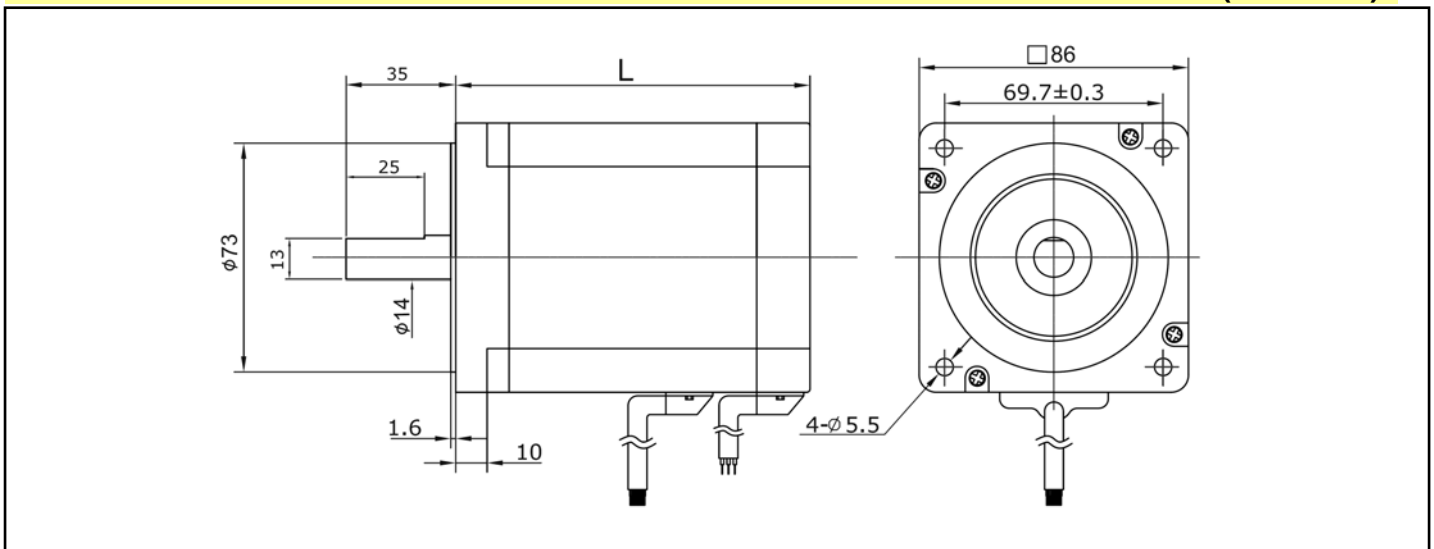


FBD86P Series (□ 86mm)
MOTOR FEATURE:

- RATED OUTPUT POWER : 150~1260W
- RATED VOLTAGE :24~310VDC
- OPERATIONAL SPEED :2000~ 6000RPM
- MAX. OUTPUT POWER : 3800W
- Sleeve/Steel Ball bearing for option
- Replaceable Brush Type for option
- Pinion shaft or other requirement for option


Dimensions

(UNIT:mm)


Typical Specifications (F =ferrite magnet, N= rare earth magnet)

| MODEL | Rated | | | | | | Weight (kg) | Length L (mm) |
|-----------------|-------------|------------|-------------|-------------|-----------------|--------|-------------|---------------|
| | Voltage (V) | Output (W) | Current (A) | Speed (RPM) | Torque (kgf-cm) | Rating | | |
| FBD86P-N024150 | 24 | 147 | 8.3 | 2000 | 7.14 | cont | 1.90 | 71 |
| FBD86P-N048295 | 48 | 294 | 8 | 4000 | 7.14 | cont | 1.90 | 71 |
| FBD86P-N048290 | 48 | 293 | 8.2 | 2000 | 14.3 | cont | 2.60 | 98 |
| FBD86P-N310900 | 310 | 879 | 3.6 | 6000 | 14.3 | cont | 2.60 | 98 |
| FBD86P-N048450 | 48 | 440 | 12 | 2000 | 21.4 | cont | 4.0 | 125 |
| FBD86P-N3101260 | 310 | 1256 | 5.1 | 6000 | 20.4 | cont | 4.0 | 125 |

- Pls discuss with us when you place an order non-standardized products such as voltage, speed and others.
- Mass production by standardizing the various types and manufacture the products with special size by order.
- Design or Motor spec. can be changed for quality improvement without any notice.

Copyright © 2012 Formosa Servo Electric Motor Co., Ltd./ EVERMO Group All Rights Reserved.