

FBD110P Series (□110mm)

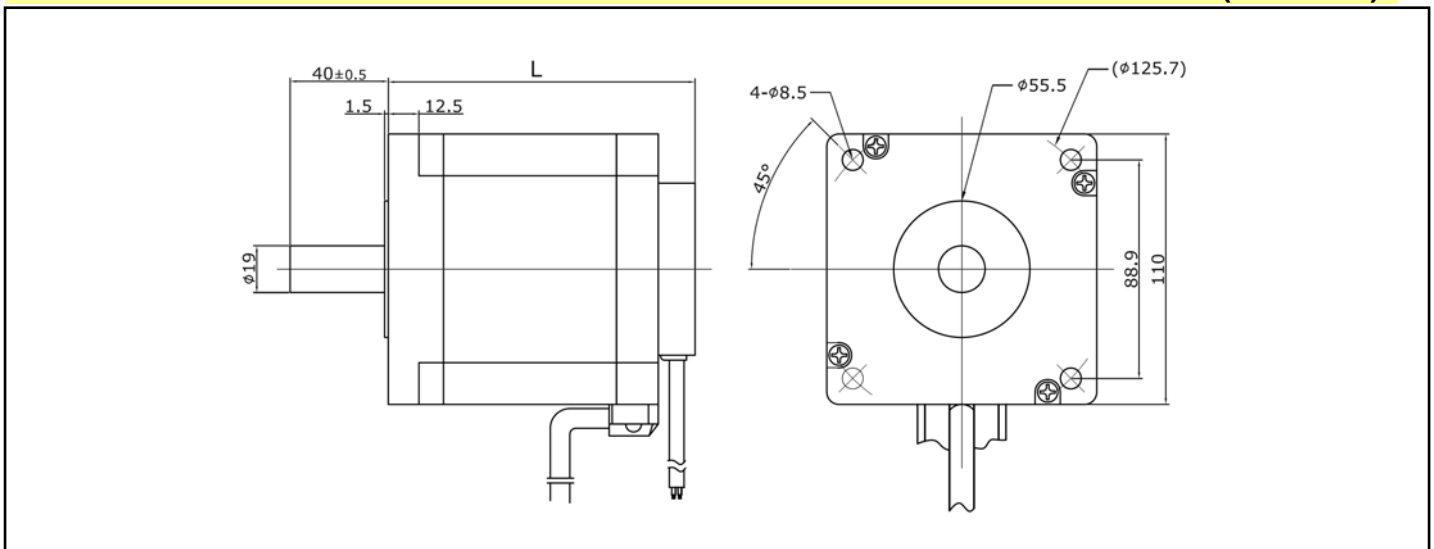
MOTOR FEATURE:

- RATED OUTPUT POWER : 300~1570W
- RATED VOLTAGE : 48~325VDC
- OPERATIONAL SPEED : 1000~3000RPM
- MAX. OUTPUT POWER : 4800W
- Sleeve/Steel Ball bearing for option
- Replaceable Brush Type for option
- Pinion shaft or other requirement for option



Dimensions

(UNIT:mm)



Typical Specifications (F =ferrite magnet, N= rare earth magnet)

MODEL	Rated						Weight (kg)	Length L (mm)
	Voltage (V)	Output (W)	Current (A)	Speed (RPM)	Torque (kgf-cm)	Rating		
FBD110P-N048750	48	750	21.4	2500	30.6	cont	5.6	113
FBD110P-N170315	170	314	2.5	1000	30.6	cont	5.6	113
FBD110P-N310940	310	942	3.9	3000	30.6	cont	5.6	113
FBD110P-N170630	170	628	5.1	1000	61.2	cont	9.2	173
FBD110P-N3251570	325	1570	7.9	2500	61.2	cont	9.2	173

- Pls discuss with us when you place an order non-standardized products such as voltage, speed and others.
- Mass production by standardizing the various types and manufacture the products with special size by order.
- Design or Motor spec. can be changed for quality improvement without any notice.

Copyright © 2012 Formosa Servo Electric Motor Co., Ltd./ EVERMO Group All Rights Reserved.