

FBD110K Series (□110mm)

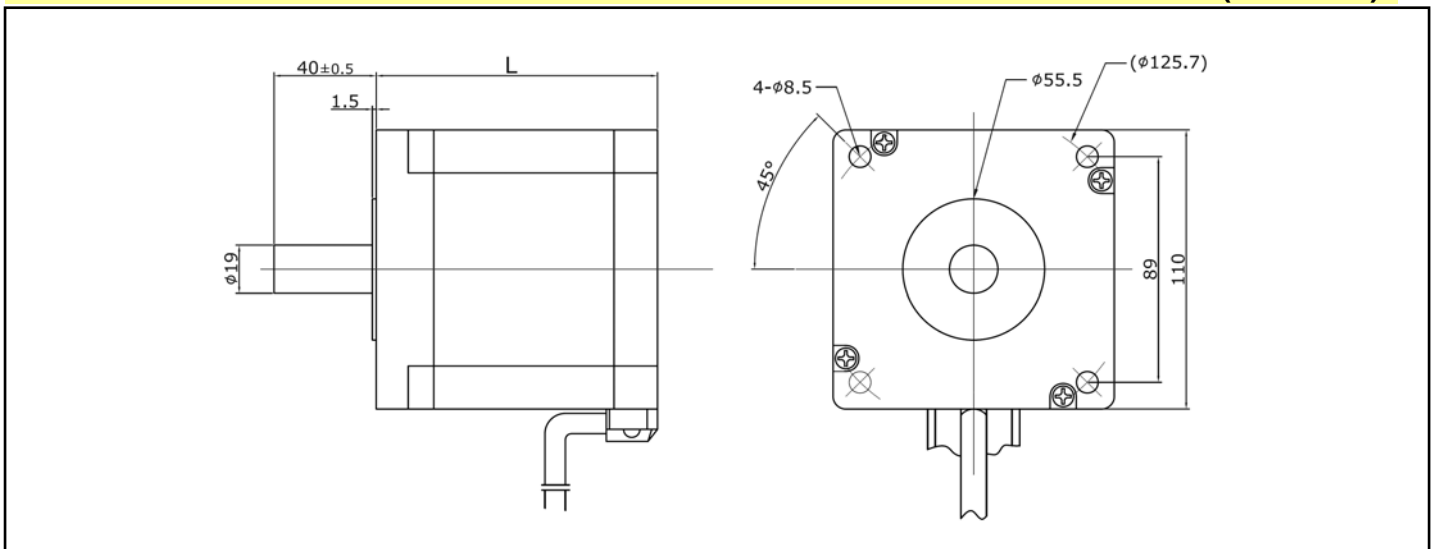
MOTOR FEATURE:

- RATED OUTPUT POWER : 280~1420W
- RATED VOLTAGE : 48~325VDC
- OPERATIONAL SPEED :1000~ 3000RPM
- MAX. OUTPUT POWER : 4300W
- Sleeve/Steel Ball bearing for option
- Replaceable Brush Type for option
- Pinion shaft or other requirement for option



Dimensions

(UNIT:mm)



Typical Specifications (F =ferrite magnet, N= rare earth magnet)

MODEL	Rated						Weight (kg)	Length L (mm)
	Voltage (V)	Output (W)	Current (A)	Speed (RPM)	Torque (kgf-cm)	Rating		
FBD110K-N048675	48	675	19.3	2500	27.54	cont	5.6	113
FBD110K-N170280	170	283	2.3	1000	27.54	cont	5.6	113
FBD110K-N310850	310	848	3.5	3000	27.54	cont	5.6	113
FBD110K-N170565	170	565	4.6	1000	55.08	cont	9.2	173
FBD110K-N3251420	325	1413	7.1	2500	55.08	cont	9.2	173

- Pls discuss with us when you place an order non-standardized products such as voltage, speed and others.
- Mass production by standardizing the various types and manufacture the products with special size by order.
- Design or Motor spec. can be changed for quality improvement without any notice.

Copyright © 2012 Formosa Servo Electric Motor Co., Ltd./ EVERMO Group All Rights Reserved.