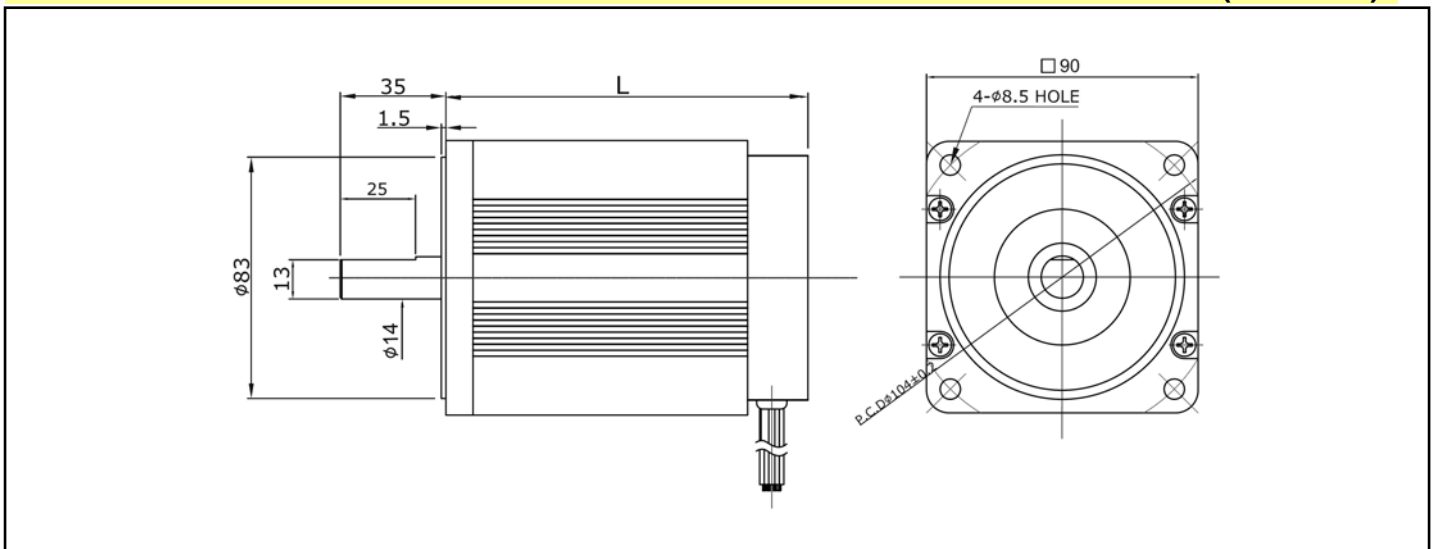


**FBD90P Series (□ 90mm)**
**MOTOR FEATURE:**

- RATED OUTPUT POWER : 210~1260W
- RATED VOLTAGE : 20~325VDC
- OPERATIONAL SPEED : 2000~6000RPM
- MAX. OUTPUT POWER : 3800W
- Sleeve/Steel Ball bearing for option
- Replaceable Brush Type for option
- Pinion shaft or other requirement for option


**Dimensions**

(UNIT:mm)


**Typical Specifications (F = ferrite magnet, N= rare earth magnet)**

MODEL	Rated						Weight (kg)	Length L (mm)
	Voltage (V)	Output (W)	Current (A)	Speed (RPM)	Torque (kgf-cm)	Rating		
FBD90P-N024210	24	209	5.7	4000	5.1	cont	1.40	68
FBD90P-N048300	48	293	8.1	4000	7.1	cont	1.70	75
FBD90P-N048220	48	209	5.8	2000	10.2	cont	2.10	88
FBD90P-N048625	48	628	11.6	6000	10.2	cont	2.10	88
FBD90P-N048335	48	335	9.3	2000	16.3	cont	2.60	108
FBD90P-N048630	48	628	17.2	4000	15.3	cont	2.60	108
FBD90P-N325525	325	524	2.2	2000	25.5	cont	4.10	136
FBD90P-N3251260	325	1256	4.9	6000	20.4	cont	4.10	136

- Pls discuss with us when you place an order non-standardized products such as voltage, speed and others.
- Mass production by standardizing the various types and manufacture the products with special size by order.
- Design or Motor spec. can be changed for quality improvement without any notice.