

## FBD90C Series (□ 90mm)

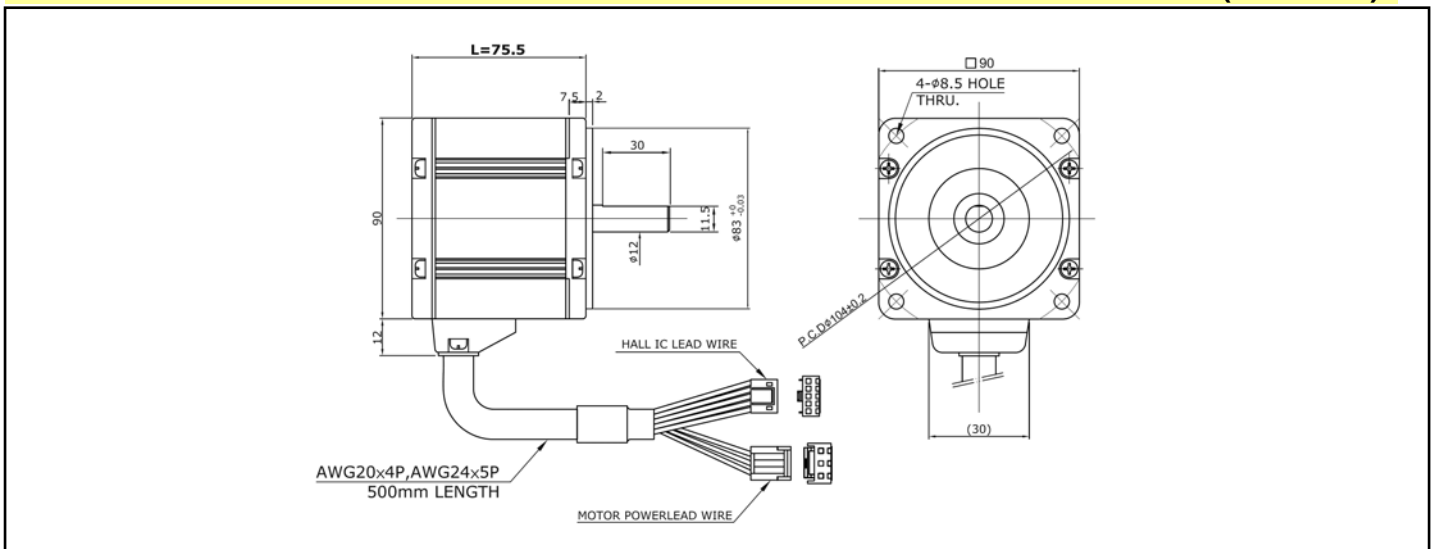
### MOTOR FEATURE:

- RATED OUTPUT POWER : 90~100W
- RATED VOLTAGE : 24~220VDC
- OPERATIONAL SPEED : 2000~3000RPM
- MAX. OUTPUT POWER : 300W
- Sleeve/Steel Ball bearing for option
- Replaceable Brush Type for option
- Pinion shaft or other requirement for option



### Dimensions

(UNIT:mm)



### Typical Specifications (F = ferrite magnet, N= rare earth magnet)

MODEL	Rated						Weight (kg)	Length L (mm)
	Voltage (V)	Output (W)	Current (A)	Speed (RPM)	Torque (kgf-cm)	Rating		
FBD90C-N024100	24	100	7.5	3000	3.25	cont	1.9	76
FBD90C-N220090	220	90	1.5	2000	4.38	cont	1.9	76
FBD90C-N220100	220	100	1.6	3000	3.25	cont	1.9	76

- Pls discuss with us when you place an order non-standardized products such as voltage, speed and others.
- Mass production by standardizing the various types and manufacture the products with special size by order.
- Design or Motor spec. can be changed for quality improvement without any notice.

**Copyright © 2012 Formosa Servo Electric Motor Co., Ltd./ EVERMO Group All Rights Reserved.**