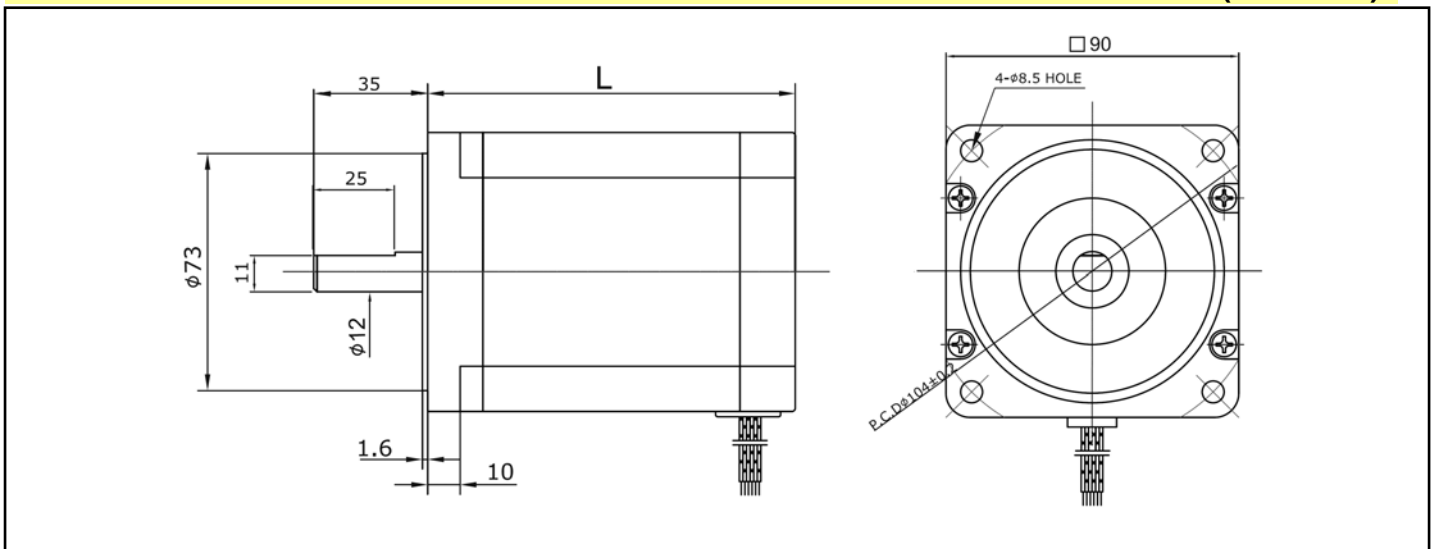


FBD90 Series (□ 90mm)
MOTOR FEATURE:

- RATED OUTPUT POWER : 20~200W
- RATED VOLTAGE : 12~220VDC
- OPERATIONAL SPEED : 1500~3000RPM
- MAX. OUTPUT POWER : 600W
- Sleeve/Steel Ball bearing for option
- Replaceable Brush Type for option
- Pinion shaft or other requirement for option


Dimensions

(UNIT:mm)


Typical Specifications (F = ferrite magnet, N= rare earth magnet)

MODEL	Rated						Weight (kg)	Length L (mm)
	Voltage (V)	Output (W)	Current (A)	Speed (RPM)	Torque (kgf-cm)	Rating		
FBD90-N012020	12	20	2.7	1500/3000	1.3/0.65	cont	2.1	58
FBD90-N012030	12	30	4.1	1500/3000	1.95/0.98	cont	2.3	68
FBD90-N012040	12	40	5.4	1500/3000	2.6/1.3	cont	2.5	78
FBD90-N012060	12	60	8.1	1500/3000	3.8/1.9	cont	2.5	78
FBD90-N012070	12	70	9.7	1500/3000	4.4/2.2	cont	2.5	78
FBD90-N024030	24	30	2	1500/3000	0.95/0.98	cont	2.1	58
FBD90-N024050	24	50	3.4	1500/3000	3.2/1.6	cont	2.3	68
FBD90-N024100	24	100	6.7	1500/3000	6.4/3.2	cont	2.5	78
FBD90-N024060	24	60	10.1	1500/3000	9.6/4.8	cont	2.5	78
FBD90-N220090	220	90	0.8	1500/3000	6.4/3.2	cont	2.1	58
FBD90-N220120	220	120	0.9	1500/3000	7.8/3.9	cont	2.3	68
FBD90-N220150	220	150	1.1	1500/3000	9.8/4.9	cont	2.5	78
FBD90-N220200	220	200	1.5	1500/3000	12.6/6.3	cont	2.5	78

- Pls discuss with us when you place an order non-standardized products such as voltage, speed and others.
- Mass production by standardizing the various types and manufacture the products with special size by order.
- Design or Motor spec. can be changed for quality improvement without any notice.