

FBD86K Series (□86mm)

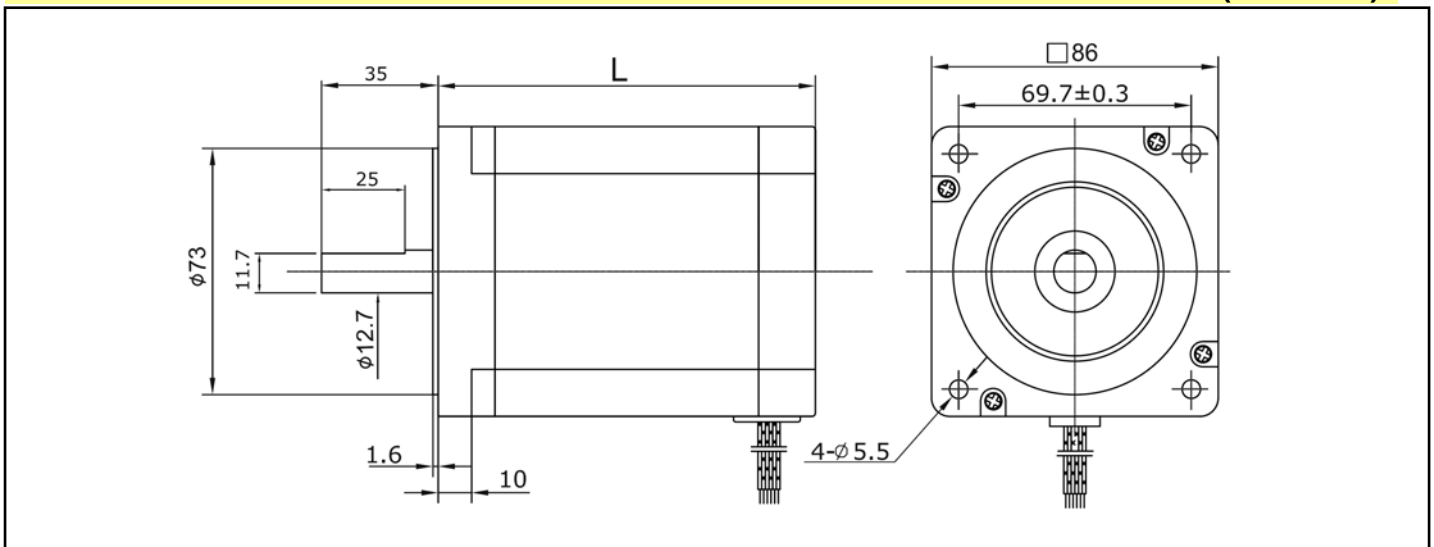
MOTOR FEATURE:

- RATED OUTPUT POWER : 20~660W
- RATED VOLTAGE : 48VDC
- OPERATIONAL SPEED : 1000~3000RPM
- MAX. OUTPUT POWER : 1980W
- Sleeve/Steel Ball bearing for option
- Replaceable Brush Type for option
- Pinion shaft or other requirement for option



Dimensions

(UNIT:mm)



Typical Specifications (F =ferrite magnet, N= rare earth magnet)

MODEL	Rated						Weight (kg)	Length L (mm)
	Voltage (V)	Output (W)	Current (A)	Speed (RPM)	Torque (kgf-cm)	Rating		
FBD86K-N048040	48	24	1.1	1000	3.6	cont	1.50	58
FBD86K-N048110	48	110	2.9	3000	3.6	cont	1.50	58
FBD86K-N048075	48	73	2.2	1000	7.1	cont	1.90	71
FBD86K-N048220	48	220	5.8	3000	7.1	cont	1.90	71
FBD86K-N048150	48	147	4.3	1000	14.3	cont	2.60	98
FBD86K-N048440	48	440	11.5	3000	14.3	cont	2.60	98
FBD86K-N048220	48	220	6.5	1000	21.4	cont	4.0	125
FBD86K-N048660	48	660	17.5	3000	21.4	cont	4.0	125

- Pls discuss with us when you place an order non-standardized products such as voltage, speed and others.
- Mass production by standardizing the various types and manufacture the products with special size by order.
- Design or Motor spec. can be changed for quality improvement without any notice.