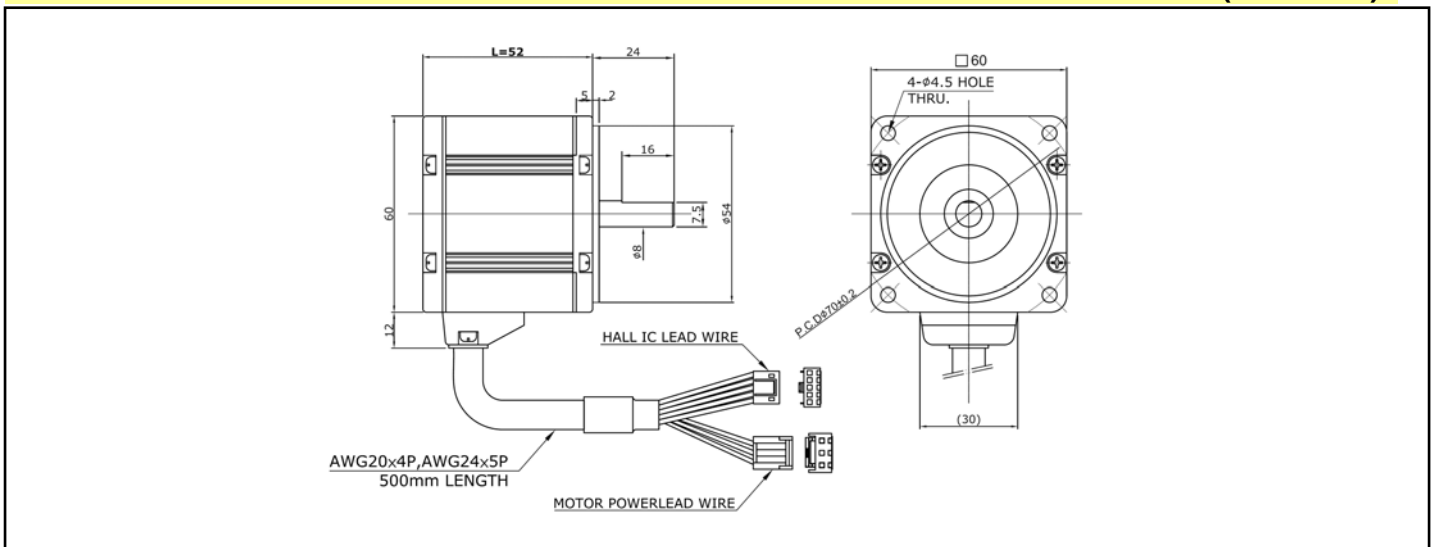


**FBD60C Series (□60mm)**
**MOTOR FEATURE:**

- RATED OUTPUT POWER : 20~30W
- RATED VOLTAGE : 24~220VDC
- OPERATIONAL SPEED : 2100~3100RPM
- MAX. OUTPUT POWER : 90W
- Sleeve/Steel Ball bearing for option
- Replaceable Brush Type for option
- Pinion shaft or other requirement for option


**Dimensions**
**(UNIT:mm)**

**Typical Specifications (F = ferrite magnet, N= rare earth magnet)**

MODEL	Rated						Weight (kg)	Length L (mm)
	Voltage (V)	Output (W)	Current (A)	Speed (RPM)	Torque (kgf-cm)	Rating		
FBD60C-N024030	24	30	2	3100	0.97	cont	0.45	52
FBD60C-N220020	220	20	0.5	2100	0.97	cont	0.45	52
FBD60C-N220030	220	30	0.7	3000	0.97	cont	0.45	52

- Pls discuss with us when you place an order non-standardized products such as voltage, speed and others.
- Mass production by standardizing the various types and manufacture the products with special size by order.
- Design or Motor spec. can be changed for quality improvement without any notice.

**Copyright © 2012 Formosa Servo Electric Motor Co., Ltd./ EVERMO Group All Rights Reserved.**