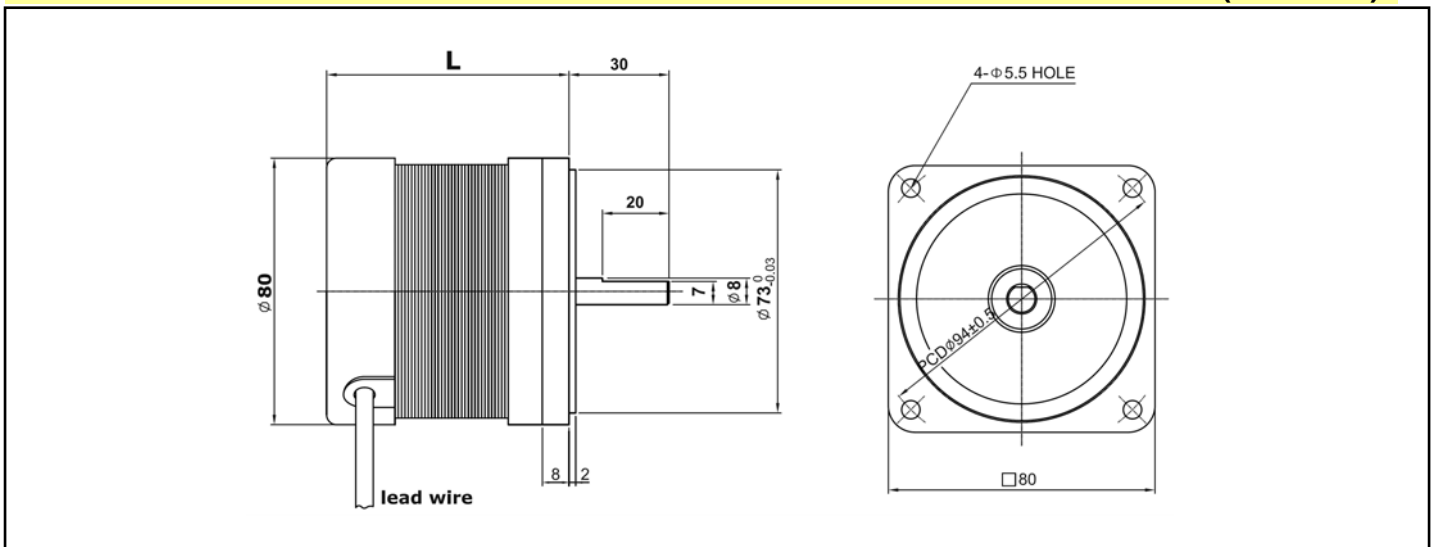


FBD80K Series (□ 80mm)
MOTOR FEATURE:

- RATED OUTPUT POWER : 10~100W
- RATED VOLTAGE : 12~220VDC
- OPERATIONAL SPEED : 1500~3000RPM
- MAX. OUTPUT POWER : 300W
- Sleeve/Steel Ball bearing for option
- Replaceable Brush Type for option
- Pinion shaft or other requirement for option


Dimensions

(UNIT:mm)


Typical Specifications (F =ferrite magnet, N= rare earth magnet)

| MODEL | Rated | | | | | | Weight (kg) | Length L (mm) |
|----------------|-------------|------------|-------------|-------------|-----------------|--------|-------------|---------------|
| | Voltage (V) | Output (W) | Current (A) | Speed (RPM) | Torque (kgf-cm) | Rating | | |
| FBD80K-N012010 | 12 | 10 | 1.4 | 1500/3000 | 0.65/0.33 | cont | 1.4 | 53 |
| FBD80K-N012025 | 12 | 25 | 2.6 | 1500/3000 | 1.60/0.80 | cont | 1.5 | 63 |
| FBD80K-N012040 | 12 | 40 | 4.2 | 1500/3000 | 2.60/1.30 | cont | 1.5 | 63 |
| FBD80K-N012060 | 12 | 60 | 6.3 | 1500/3000 | 3.80/1.90 | cont | 1.5 | 73 |
| FBD80K-N024015 | 24 | 15 | 1 | 1500/3000 | 0.98/0.49 | cont | 1.4 | 53 |
| FBD80K-N024025 | 24 | 25 | 1.7 | 1500/3000 | 1.60/0.80 | cont | 1.5 | 63 |
| FBD80K-N024040 | 24 | 40 | 2.0 | 1500/3000 | 2.60/1.30 | cont | 1.6 | 73 |
| FBD80K-N024060 | 24 | 60 | 3.0 | 1500/3000 | 3.80/1.90 | cont | 1.6 | 73 |
| FBD80K-N024080 | 24 | 80 | 4.2 | 1500/3000 | 5.00/2.50 | cont | 1.6 | 73 |
| FBD80K-N220040 | 220 | 40 | 0.4 | 1500/3000 | 2.60/1.30 | cont | 1.4 | 53 |
| FBD80K-N220060 | 220 | 60 | 0.5 | 1500/3000 | 3.90/1.95 | cont | 1.5 | 63 |
| FBD80K-N220100 | 220 | 100 | 0.8 | 1500/3000 | 6.40/3.20 | cont | 1.6 | 73 |

- Pls discuss with us when you place an order non-standardized products such as voltage, speed and others.
- Mass production by standardizing the various types and manufacture the products with special size by order.
- Design or Motor spec. can be changed for quality improvement without any notice.