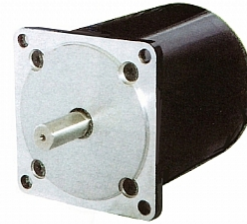
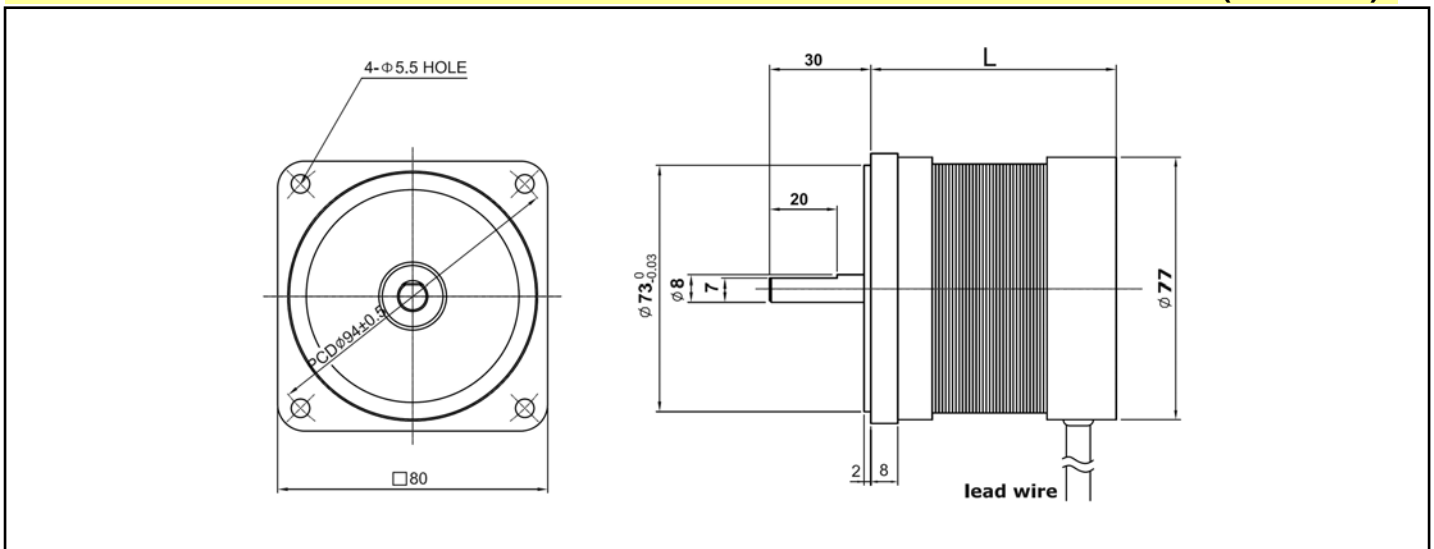


FBD80 Series (□80mm)
MOTOR FEATURE:

- RATED OUTPUT POWER : 10~100W
- RATED VOLTAGE : 12~220VDC
- OPERATIONAL SPEED : 1500~3000RPM
- MAX. OUTPUT POWER : 300W
- Sleeve/Steel Ball bearing for option
- Replaceable Brush Type for option
- Pinion shaft or other requirement for option


Dimensions

(UNIT:mm)


Typical Specifications (F = ferrite magnet, N= rare earth magnet)

MODEL	Rated						Weight (kg)	Length L (mm)
	Voltage (V)	Output (W)	Current (A)	Speed (RPM)	Torque (kgf-cm)	Rating		
FBD80-N012010	12	10	1.4	1500/3000	0.65/0.33	cont	1.4	53
FBD80-N012025	12	25	2.6	1500/3000	1.60/0.80	cont	1.5	63
FBD80-N012040	12	40	4.2	1500/3000	2.60/1.30	cont	1.5	63
FBD80-N012060	12	60	6.3	1500/3000	3.80/1.90	cont	1.5	73
FBD80-N024015	24	15	1	1500/3000	0.98/0.49	cont	1.4	53
FBD80-N024025	24	25	1.7	1500/3000	1.60/0.80	cont	1.5	63
FBD80-N024040	24	40	2.0	1500/3000	2.60/1.30	cont	1.6	73
FBD80-N024060	24	60	3.0	1500/3000	3.80/1.90	cont	1.6	73
FBD80-N024080	24	80	4.2	1500/3000	5.00/2.50	cont	1.6	73
FBD80-N220040	220	40	0.4	1500/3000	2.60/1.30	cont	1.4	53
FBD80-N220060	220	60	0.5	1500/3000	3.90/1.95	cont	1.5	63
FBD80-N220100	220	100	0.8	1500/3000	6.40/3.20	cont	1.6	73

- Pls discuss with us when you place an order non-standardized products such as voltage, speed and others.
- Mass production by standardizing the various types and manufacture the products with special size by order.
- Design or Motor spec. can be changed for quality improvement without any notice.