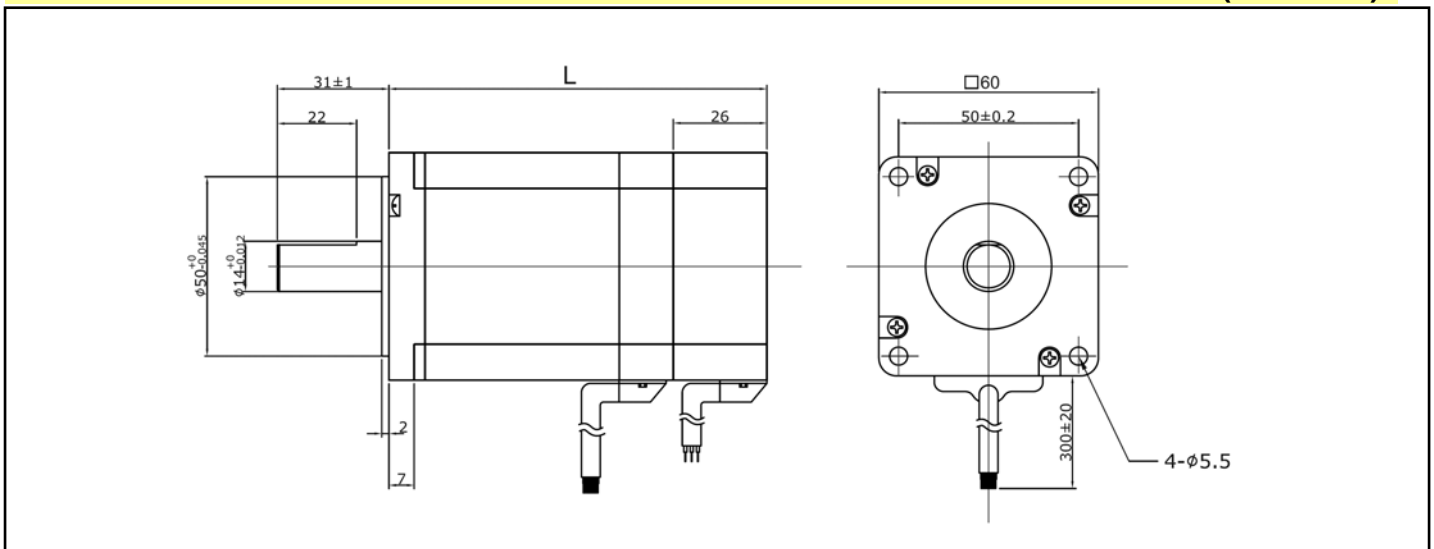


**FBD60P Series (□60mm)**
**MOTOR FEATURE:**

- RATED OUTPUT POWER : 25~235W
- RATED VOLTAGE : 24VDC
- OPERATIONAL SPEED : 1000~3000RPM
- MAX. OUTPUT POWER : 705W
- Sleeve/Steel Ball bearing for option
- Replaceable Brush Type for option
- Pinion shaft or other requirement for option


**Dimensions**

(UNIT:mm)


**Typical Specifications (F =ferrite magnet, N= rare earth magnet)**

MODEL	Rated						Weight (kg)	Length L (mm)
	Voltage (V)	Output (W)	Current (A)	Speed (RPM)	Torque (kgf-cm)	Rating		
FBD60P-N024025	24	26	1.1	1000	2.6	cont	0.60	59
FBD60P-N024080	24	80	4.3	3000	2.6	cont	0.60	59
FBD60P-N024055	24	53	2.2	1000	5.1	cont	1.00	80
FBD60P-N024155	24	156	8.6	3000	5.1	cont	1.00	80
FBD60P-N024075	24	77	3.3	1000	7.7	cont	1.50	101
FBD60P-N024235	24	235	12.9	3000	7.7	cont	1.50	101

- Pls discuss with us when you place an order non-standardized products such as voltage, speed and others.
- Mass production by standardizing the various types and manufacture the products with special size by order.
- Design or Motor spec. can be changed for quality improvement without any notice.

Copyright © 2012 Formosa Servo Electric Motor Co., Ltd./ EVERMO Group All Rights Reserved.