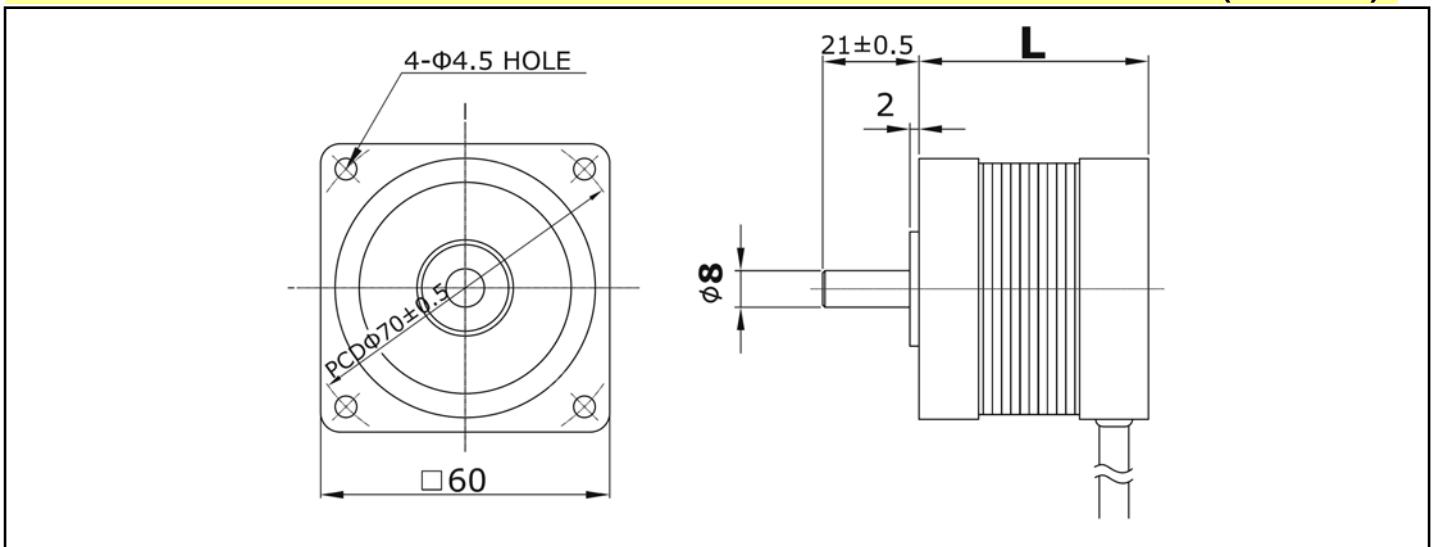


FBD60 Series (□ 60mm)
MOTOR FEATURE:

- RATED OUTPUT POWER : 5~80W
- RATED VOLTAGE : 12~220VDC
- OPERATIONAL SPEED : 1500~3000RPM
- MAX. OUTPUT POWER : 240W
- Sleeve/Steel Ball bearing for option
- Replaceable Brush Type for option
- Pinion shaft or other requirement for option


Dimensions

(UNIT:mm)


Typical Specifications (F =ferrite magnet, N= rare earth magnet)

MODEL	Rated						Weight (kg)	Length L (mm)
	Voltage (V)	Output (W)	Current (A)	Speed (RPM)	Torque (kgf-cm)	Rating		
FBD60-N012005	12	5	0.7	1500/3000	0.33/0.16	cont	0.5	53
FBD60-N012010	12	10	1.4	1500/3000	0.65/0.33	cont	0.6	63
FBD60-N012015	12	15	2.1	1500/3000	0.98/0.49	cont	0.7	73
FBD60-N012020	12	20	2.8	1500/3000	1.20/0.60	cont	0.7	73
FBD60-N024010	24	10	0.7	1500/3000	0.65/0.33	cont	0.5	53
FBD60-N024020	24	20	1.3	1500/3000	0.30/0.65	cont	0.6	63
FBD60-N024030	24	30	2	1500/3000	0.95/0.98	cont	0.7	73
FBD60-N024035	24	30	3.5	1500/3000	3.20/1.60	cont	0.7	73
FBD60-N220020	220	20	0.4	1500/3000	1.30/0.65	cont	0.5	53
FBD60-N220040	220	40	0.7	1500/3000	2.60/1.30	cont	0.6	63
FBD60-N220060	220	60	0.9	1500/3000	3.90/0.95	cont	0.7	73
FBD60-N220080	220	80	1.2	1500/3000	5.00/2.50	cont	0.7	73

- Pls discuss with us when you place an order non-standardized products such as voltage, speed and others.
- Mass production by standardizing the various types and manufacture the products with special size by order.
- Design or Motor spec. can be changed for quality improvement without any notice.