

FBD57K Series (□57mm)

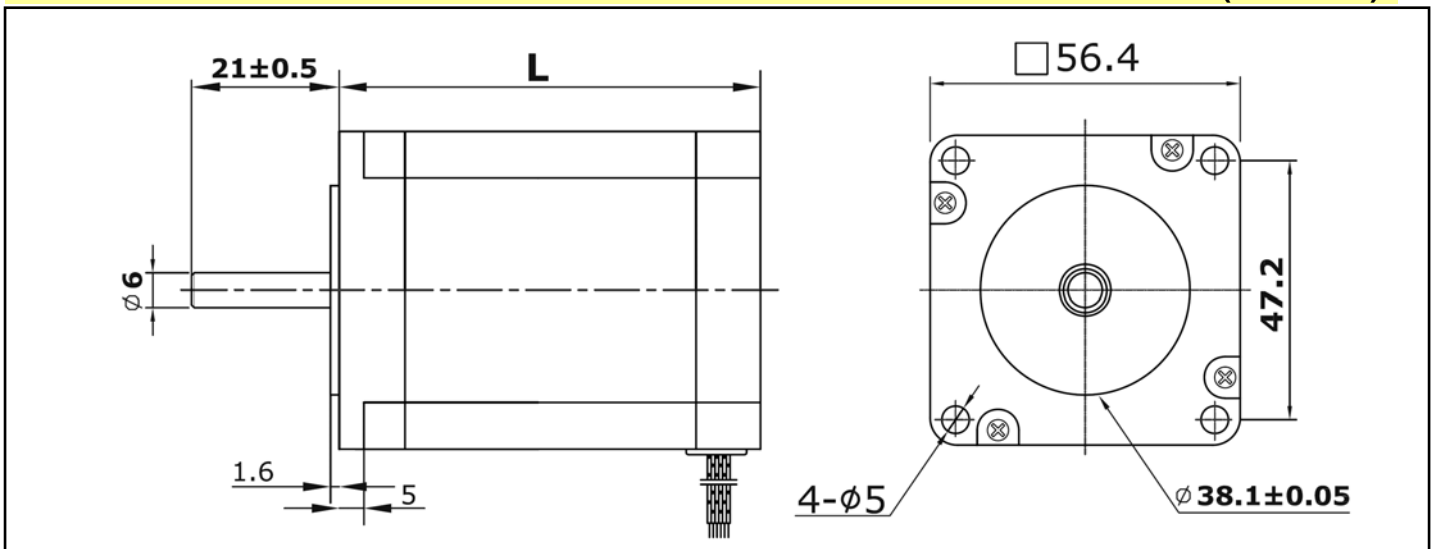
MOTOR FEATURE:

- RATED OUTPUT POWER : 20~200W
- RATED VOLTAGE : 24VDC
- OPERATIONAL SPEED : 1000~3000RPM
- MAX. OUTPUT POWER : 600W
- Sleeve/Steel Ball bearing for option
- Replaceable Brush Type for option
- Pinion shaft or other requirement for option



Dimensions

(UNIT:mm)



Typical Specifications (F =ferrite magnet, N= rare earth magnet)

| MODEL | Rated | | | | | | Weight (kg) | Length L (mm) |
|----------------|-------------|------------|-------------|-------------|-----------------|--------|-------------|---------------|
| | Voltage (V) | Output (W) | Current (A) | Speed (RPM) | Torque (kgf-cm) | Rating | | |
| FBD57K-N024020 | 24 | 21 | 0.88 | 1000 | 2.04 | cont | 0.60 | 59 |
| FBD57K-N024065 | 24 | 63 | 3.44 | 3000 | 2.04 | cont | 0.60 | 59 |
| FBD57K-N024040 | 24 | 42 | 1.76 | 1000 | 4.08 | cont | 1.00 | 80 |
| FBD57K-N024125 | 24 | 125 | 6.89 | 3000 | 4.08 | cont | 1.00 | 80 |
| FBD57K-N024060 | 24 | 62 | 2.64 | 1000 | 6.12 | cont | 1.50 | 101 |
| FBD57K-N024200 | 24 | 188 | 10.34 | 3000 | 6.12 | cont | 1.50 | 101 |

- Pls discuss with us when you place an order non-standardized products such as voltage, speed and others.
- Mass production by standardizing the various types and manufacture the products with special size by order.
- Design or Motor spec. can be changed for quality improvement without any notice.