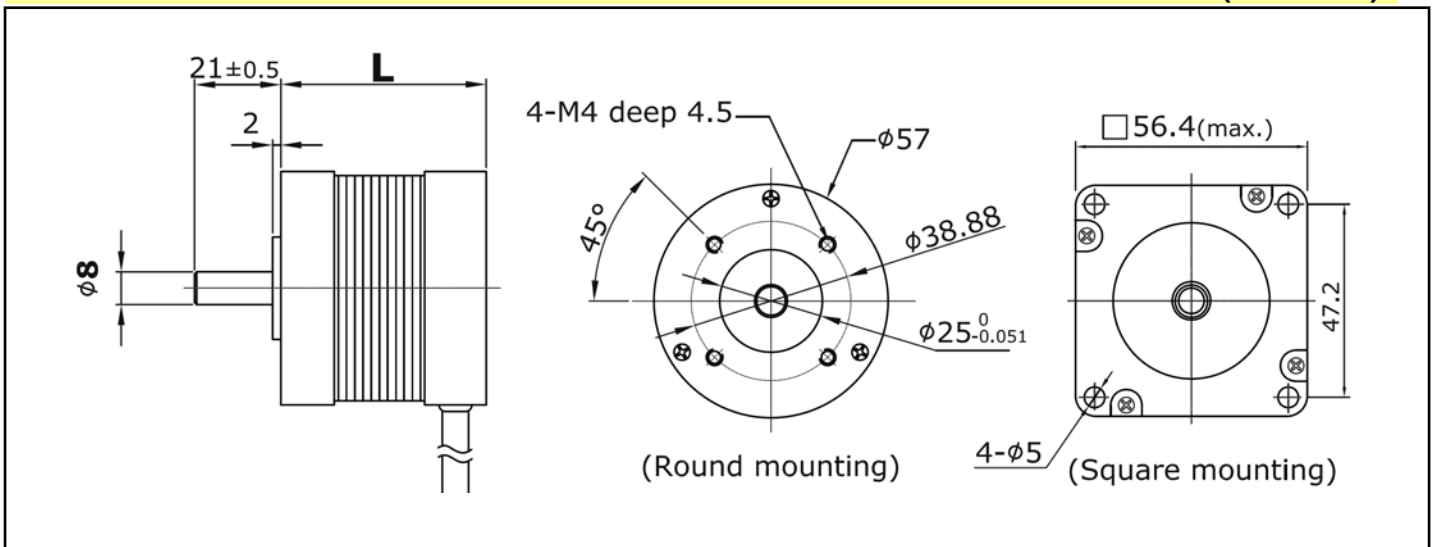


FBD57 Series (□57mm)
MOTOR FEATURE:

- RATED OUTPUT POWER : 35~200W
- RATED VOLTAGE : 24VDC
- OPERATIONAL SPEED : 2000~6000RPM
- MAX. OUTPUT POWER : 600W
- Sleeve/Steel Ball bearing for option
- Replaceable Brush Type for option
- Pinion shaft or other requirement for option


Dimensions

(UNIT:mm)


Typical Specifications (F = ferrite magnet, N= rare earth magnet)

| MODEL | Rated | | | | | | Weight (kg) | Length L (mm) |
|---------------|-------------|------------|-------------|-------------|-----------------|--------|-------------|---------------|
| | Voltage (V) | Output (W) | Current (A) | Speed (RPM) | Torque (kgf-cm) | Rating | | |
| FBD57-N024035 | 24 | 33 | 2 | 2000 | 1.63 | cont | 0.50 | 54 |
| FBD57-N024065 | 24 | 67 | 3.8 | 4000 | 1.63 | cont | 0.50 | 54 |
| FBD57-N024100 | 24 | 100 | 5.7 | 6000 | 1.63 | cont | 0.50 | 54 |
| FBD57-N024070 | 24 | 67 | 4 | 2000 | 3.3 | cont | 0.75 | 74 |
| FBD57-N024135 | 24 | 134 | 7.1 | 4000 | 3.3 | cont | 0.75 | 74 |
| FBD57-N024200 | 24 | 201 | 11.4 | 6000 | 3.3 | cont | 0.75 | 74 |
| FBD57-N024095 | 24 | 94 | 5.6 | 2000 | 4.6 | cont | 1.00 | 94 |
| FBD57-N024200 | 24 | 188 | 10 | 4000 | 4.6 | cont | 1.00 | 94 |

- Pls discuss with us when you place an order non-standardized products such as voltage, speed and others.
- Mass production by standardizing the various types and manufacture the products with special size by order.
- Design or Motor spec. can be changed for quality improvement without any notice.