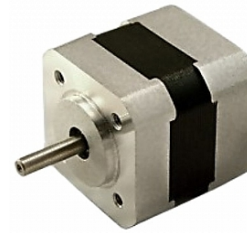
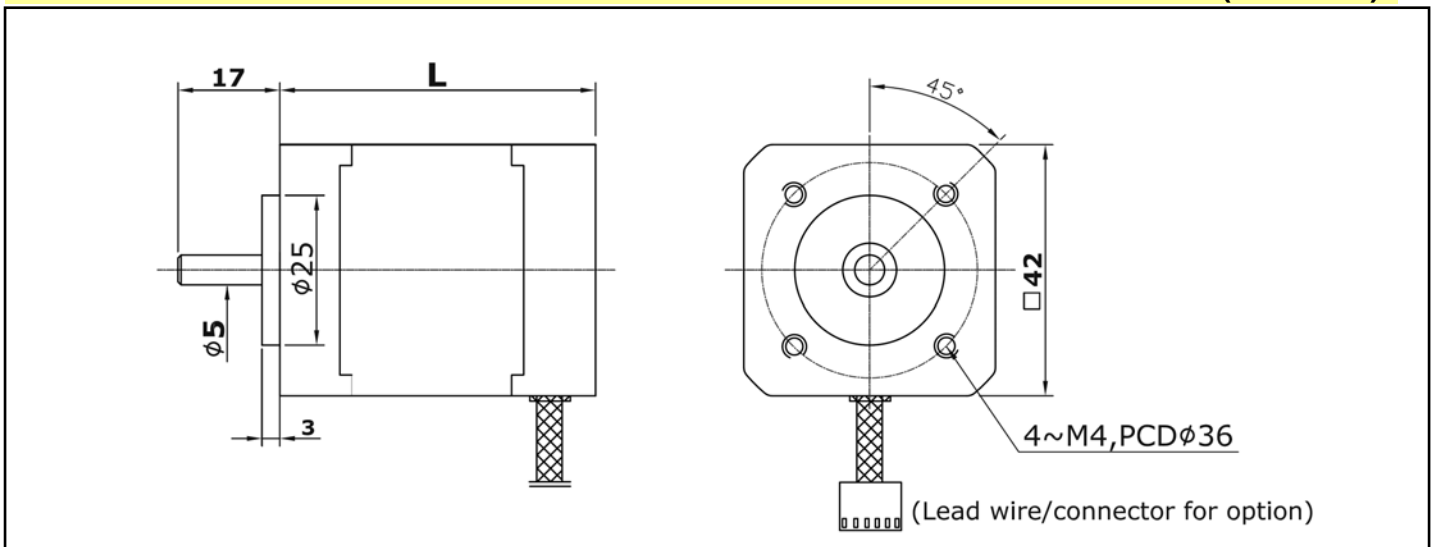


FBD42 Series (□42mm)
MOTOR FEATURE:

- RATED OUTPUT POWER : 10~160W
- RATED VOLTAGE : 24VDC
- OPERATIONAL SPEED : 2000~8000RPM
- MAX. OUTPUT POWER : 480W
- Sleeve/Steel Ball bearing for option
- Replaceable Brush Type for option
- Pinion shaft or other requirement for option


Dimensions

(UNIT:mm)


Typical Specifications (F =ferrite magnet, N= rare earth magnet)

MODEL	Rated						Weight (kg)	Length L (mm)
	Voltage (V)	Output (W)	Current (A)	Speed (RPM)	Torque (kgf-cm)	Rating		
FBD42-N024010	24	13	0.85	2000	0.64	cont	0.30	41
FBD42-N024025	24	26	1.8	4000	0.64	cont	0.30	41
FBD42-N024005	24	52	3.2	8000	0.64	cont	0.30	41
FBD42-N024030	24	26	1.7	2000	1.3	cont	0.45	61
FBD42-N024060	24	52	3.6	4000	1.3	cont	0.45	61
FBD42-N024110	24	104	6.3	8000	1.3	cont	0.45	61
FBD42-N024040	24	40	2.6	2000	1.94	cont	0.60	81
FBD42-N024080	24	79	5.4	4000	1.94	cont	0.60	81
FBD42-N024160	24	158	9.5	8000	1.94	cont	0.60	81

- Pls discuss with us when you place an order non-standardized products such as voltage, speed and others.
- Mass production by standardizing the various types and manufacture the products with special size by order.
- Design or Motor spec. can be changed for quality improvement without any notice.