

FB38 Series (Φ38mm)

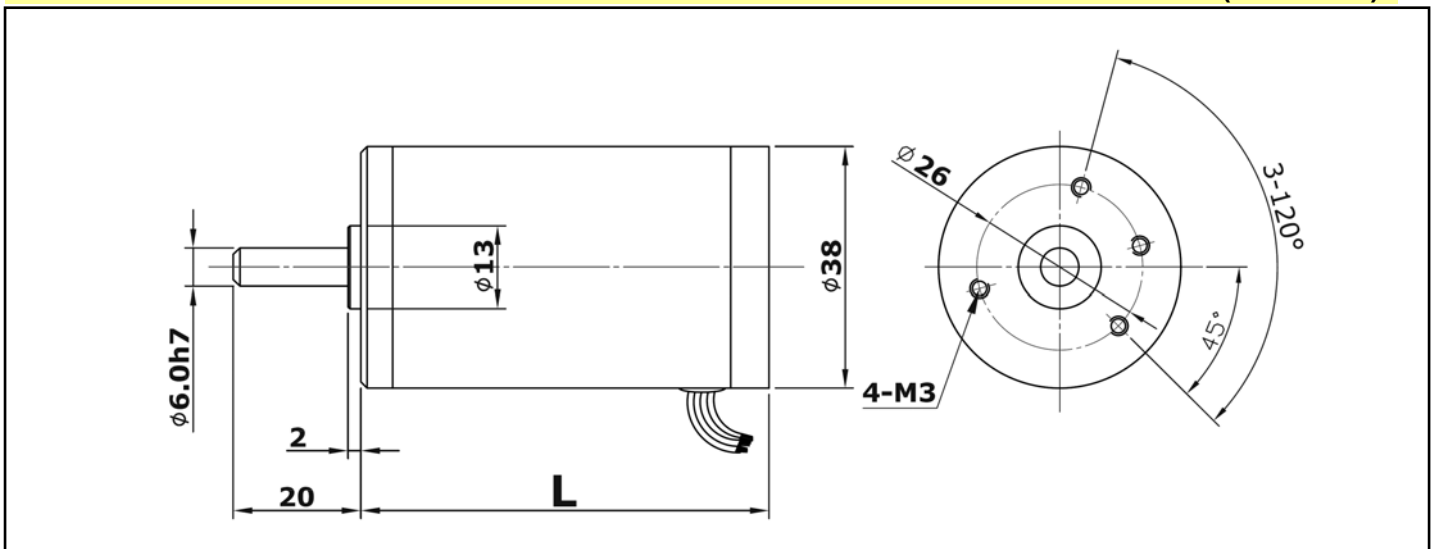
MOTOR FEATURE:

- RATED OUTPUT POWER : 1~15W
- RATED VOLTAGE : 12~24VDC
- OPERATIONAL SPEED : 1500~4000RPM
- MAX. OUTPUT POWER : 45W
- Sleeve/Steel Ball bearing for option
- Replaceable Brush Type for option
- Pinion shaft or other requirement for option



Dimensions

(UNIT:mm)



Typical Specifications (F =ferrite magnet, N= rare earth magnet)

MODEL	Rated						Weight (kg)	Length L (mm)
	Voltage (V)	Output (W)	Current (A)	Speed (RPM)	Torque (kgf-cm)	Rating		
FB38-N012002	12	2	0.3	1600	0.1	cont	0.15	40
FB38-N012005	12	3	0.5	2400	0.12	cont	0.15	40
FB38-N012010	12	8	1.3	3000	0.25	cont	0.15	40
FB38-N012015	12	11	1.5	3700	0.3	cont	0.15	40
FB38-N024003	24	2	0.2	1800	0.12	cont	0.15	40
FB38-N024005	24	3	0.3	2500	0.13	cont	0.15	40
FB38-N024010	24	9	0.5	3500	0.25	cont	0.15	40
FB38-N024015	24	12	0.7	3900	0.30	cont	0.15	40

- Pls discuss with us when you place an order non-standardized products such as voltage, speed and others.
- Mass production by standardizing the various types and manufacture the products with special size by order.
- Design or Motor spec. can be changed for quality improvement without any notice.