

## FPG45 Series (Φ45mm)

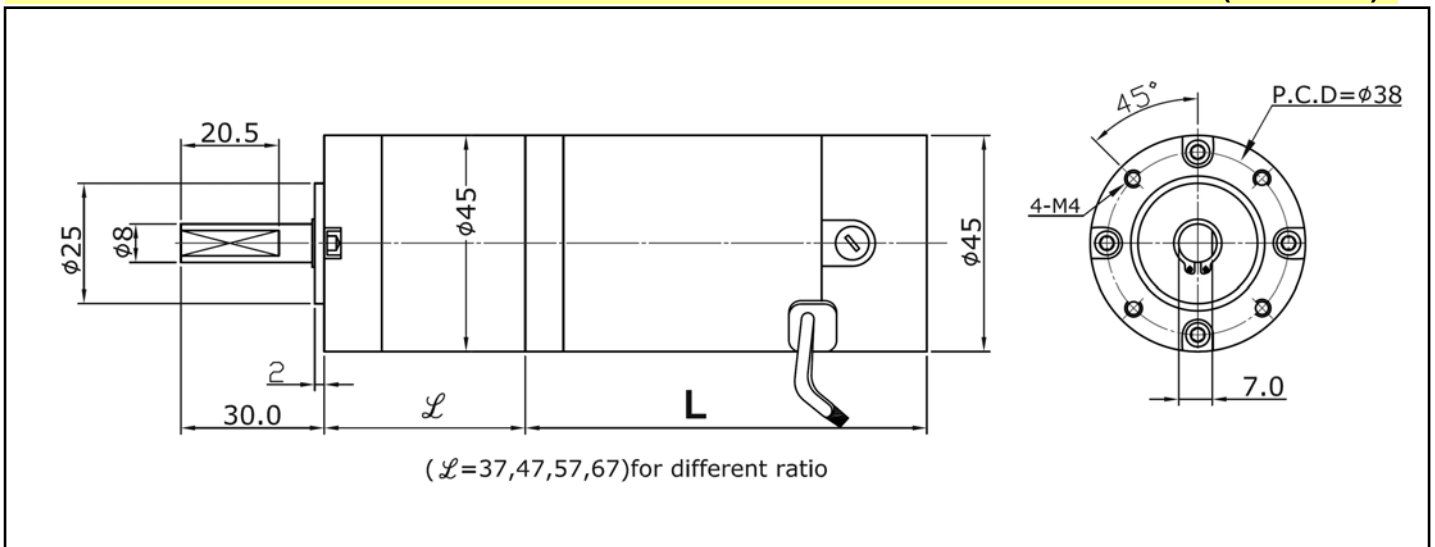
### MOTOR FEATURE:

- RATED OUTPUT POWER : 5~25W
- RATED VOLTAGE : 12~90VDC
- OPERATIONAL SPEED : 1~1000RPM
- MAX. OUTPUT POWER : 75W
- Sleeve/Steel Ball bearing for option
- Replaceable Brush Type for option
- Pinion shaft or other requirement for option



### Dimensions

(UNIT:mm)



### Typical Specifications (F =ferrite magnet, N= rare earth magnet)

MODEL	Rated						Weight (kg)	Length L (mm)
	Voltage (V)	Output (W)	Current (A)	Speed (RPM)	Torque (kgf-cm)	Rating		
FPG45-F012005	12	5	0.56	1-1000	0.5~30	cont	0.6	78
FPG45-F012010	12	10	1.1	1-1000	0.97~30	cont	0.7	85
FPG45-F024005	24	5	0.28	1-1000	0.49~30	cont	0.6	78
FPG45-F024010	24	10	0.56	1-1000	0.97~30	cont	0.7	85
FPG45-F024015	24	15	0.83	1-1000	1.46~30	cont	0.7	85
FPG45-F090010	90	10	0.15	1-1000	0.97~30	cont	0.6	78
FPG45-F090025	90	25	0.37	1-1000	2.43~30	cont	0.7	85

- Pls discuss with us when you place an order non-standardized products such as voltage, speed and others.
- Mass production by standardizing the various types and manufacture the products with special size by order.
- Design or Motor spec. can be changed for quality improvement without any notice.

Copyright © 2012 Formosa Servo Electric Motor Co., Ltd./ EVERMO Group All Rights Reserved.