

## FPG38 Series (Φ38mm)

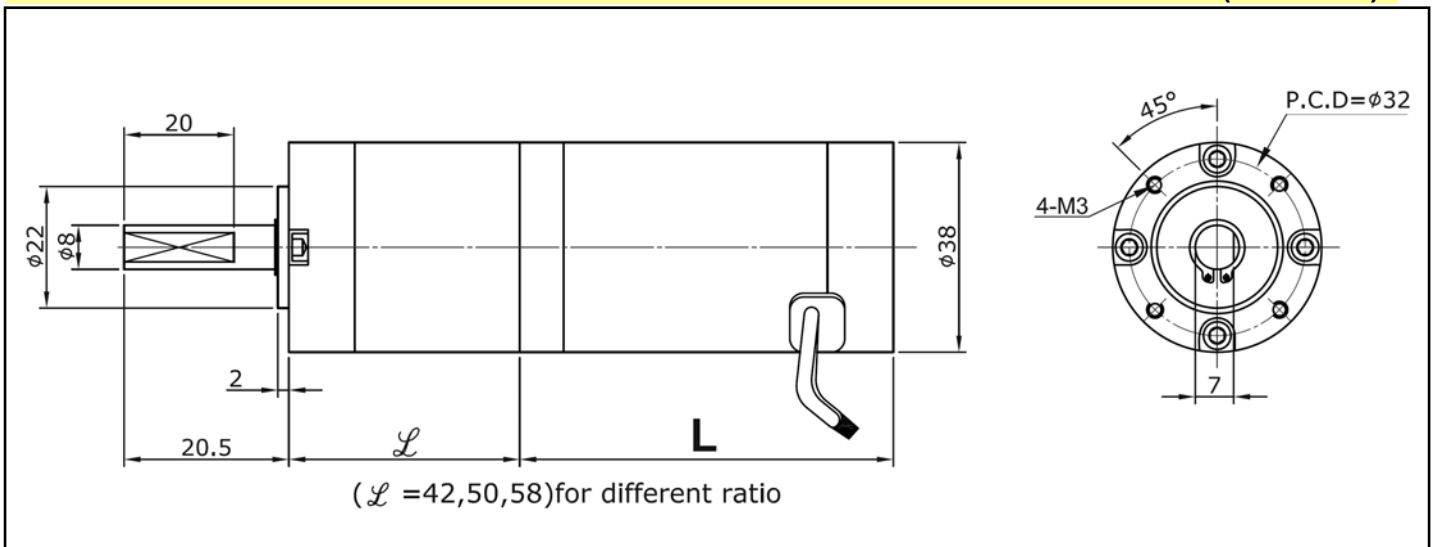
### MOTOR FEATURE:

- RATED OUTPUT POWER : 3~10W
- RATED VOLTAGE : 12~24VDC
- OPERATIONAL SPEED : 1~1000RPM
- MAX. OUTPUT POWER : 30W
- Sleeve/Steel Ball bearing for option
- Replaceable Brush Type for option
- Pinion shaft or other requirement for option



### Dimensions

(UNIT:mm)



### Typical Specifications (F = ferrite magnet, N = rare earth magnet)

MODEL	Rated						Weight (kg)	Length L (mm)
	Voltage (V)	Output (W)	Current (A)	Speed (RPM)	Torque (kgf-cm)	Rating		
FPG38-F012003	12	3	0.52	1-1000	0.5~20	cont	0.5	64
FPG38-F012005	12	5	0.65	1-1000	0.7~20	cont	0.6	79
FPG38-F012010	12	10	2.30	1-1000	1.0~20	cont	0.6	79
FPG38-F024003	24	3	0.27	1-1000	0.5~20	cont	0.5	64
FPG38-F024005	24	5	0.33	1-1000	0.7~20	cont	0.6	79
FPG38-F024010	24	10	1.15	1-1000	1.0~20	cont	0.6	79

- Pls discuss with us when you place an order non-standardized products such as voltage, speed and others.
- Mass production by standardizing the various types and manufacture the products with special size by order.
- Design or Motor spec. can be changed for quality improvement without any notice.

Copyright © 2012 Formosa Servo Electric Motor Co., Ltd./ EVERMO Group All Rights Reserved.