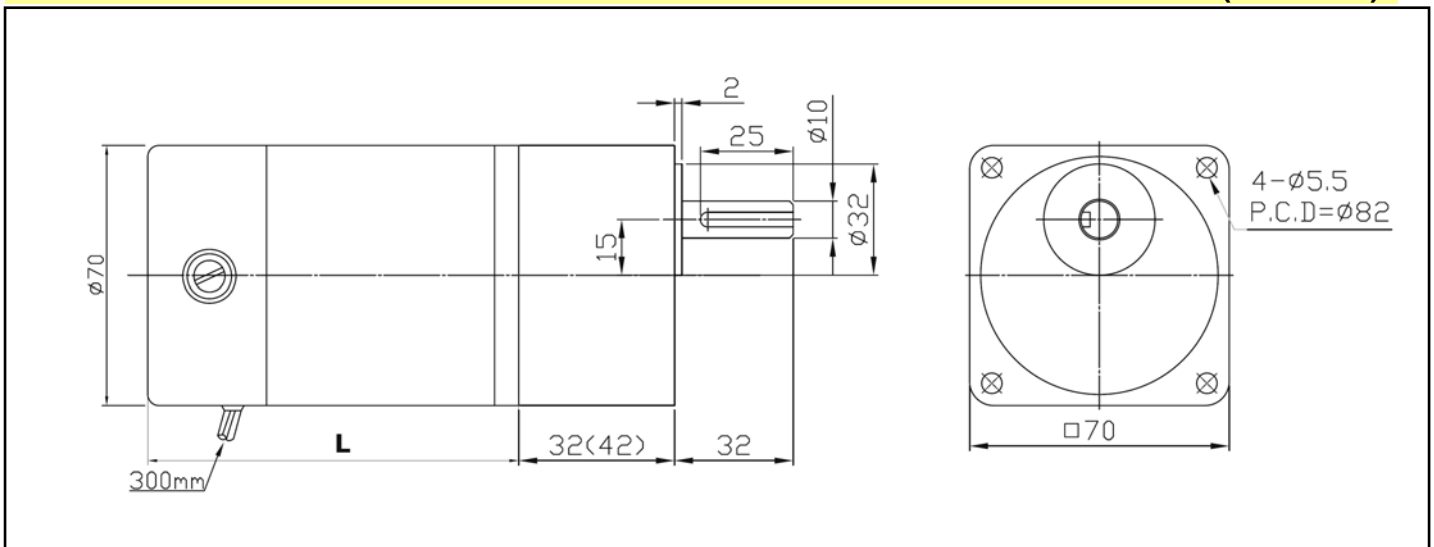


FDG70 Series (□70mm)
MOTOR FEATURE:

- RATED OUTPUT POWER : 7~120W
- RATED VOLTAGE : 12~90VDC
- OPERATIONAL SPEED : 1~1000RPM
- MAX. OUTPUT POWER : 360W
- Sleeve/Steel Ball bearing for option
- Replaceable Brush Type for option
- Pinion shaft or other requirement for option


Dimensions

(UNIT:mm)


Typical Specifications (F = ferrite magnet, N = rare earth magnet)

MODEL	Rated						Weight (kg)	Length L (mm)
	Voltage (V)	Output (W)	Current (A)	Speed (RPM)	Torque (kgf-cm)	Rating		
FDG70-F012007	12	7	0.6	1-1000	0.7~45	cont	1.0	79
FDG70-F012015	12	15	1.2	1-1000	1.47~45	cont	1.1	89
FDG70-F012025	12	22	1.8	1-1000	2.19~45	cont	1.3	99
FDG70-F012030	12	30	2.4	1-1000	2.92~45	cont	1.5	109
FDG70-F024015	24	15	0.6	1-1000	1.5~45	cont	1.0	79
FDG70-F024030	24	30	1.2	1-1000	2.92~45	cont	1.1	89
FDG70-F024045	24	45	1.8	1-1000	4.38~45	cont	1.3	99
FDG70-F024075	24	75	3.0	1-1000	7.3~45	cont	1.5	109
FDG70-F090015	90	15	0.2	1-1000	1.5~45	cont	1.0	79
FDG70-F090045	90	45	0.5	1-1000	4.38~45	cont	1.1	89
FDG70-F090075	90	75	0.8	1-1000	7.3~45	cont	1.3	99
FDG70-F090120	90	120	1.2	1-1000	11.7~45	cont	1.5	109

- Pls discuss with us when you place an order non-standardized products such as voltage, speed and others.
- Mass production by standardizing the various types and manufacture the products with special size by order.
- Design or Motor spec. can be changed for quality improvement without any notice.