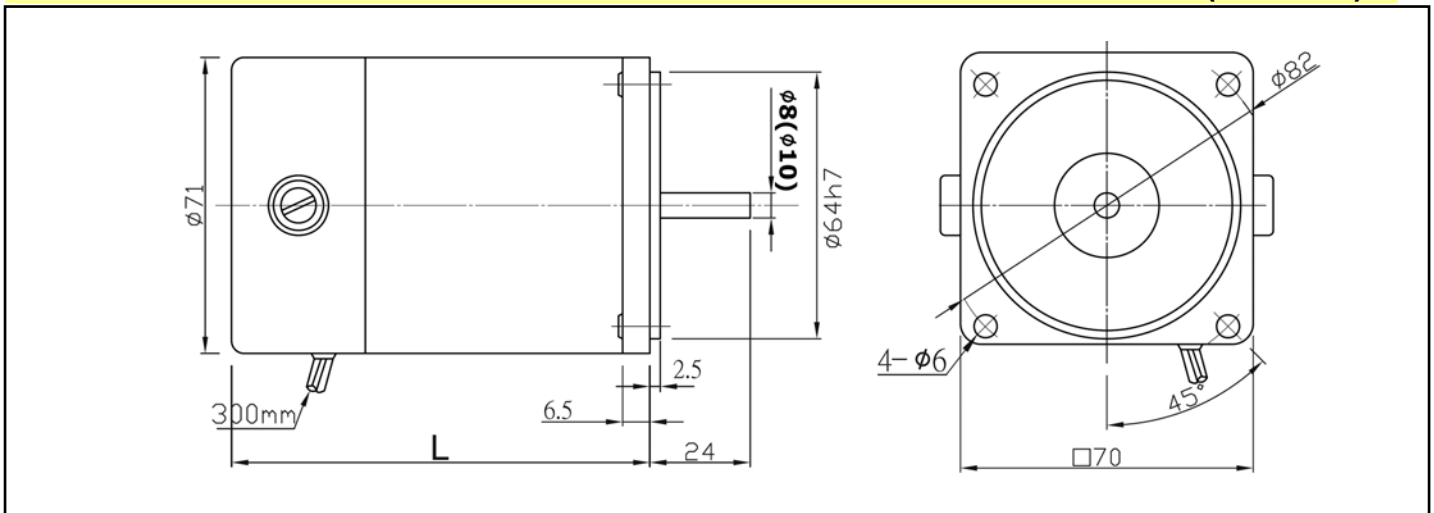


FD70 Series (□70mm)
MOTOR FEATURE:

- RATED OUTPUT POWER : 10~110W
- RATED VOLTAGE : 12~220VDC
- OPERATIONAL SPEED : 3000RPM
- MAX. OUTPUT POWER : 330W
- Sleeve/Steel Ball bearing for option
- Replaceable Brush Type for option
- Pinion shaft or other requirement for option


Dimensions

(UNIT:mm)


Typical Specifications (F =ferrite magnet, N= rare earth magnet)

MODEL	Rated						Weight (kg)	Length L (mm)
	Voltage (V)	Output (W)	Current (A)	Speed (RPM)	Torque (kgf-cm)	Rating		
FD70-F012010	12	9.5	1.1	3,000	0.3	cont	1.3	121.5
FD70-F012020	12	21.5	2.5	3,000	0.7	cont	1.4	121.5
FD70-F012035	12	36	4.2	3,000	1.17	cont	1.7	141.5
FD70-F024020	24	21.5	1.3	3,000	0.7	cont	1.4	121.5
FD70-F024030	24	32	2	3,000	1.04	cont	1.4	121.5
FD70-F024035	24	36	2	3,000	1.17	cont	1.7	141.5
FD70-F024055	24	53	3.2	3,000	1.71	cont	1.7	141.5
FD70-F090020	90	21.5	0.4	3,000	0.7	cont	1.4	121.5
FD70-F090035	90	36	0.8	3,000	1.17	cont	1.4	121.5
FD70-F090055	90	53	0.95	3,000	1.71	cont	1.7	141.5
FD70-F180050	180	50	0.4	3,000	1.62	cont	1.4	121.5
FD70-F180045	180	46	0.7	3,000	1.5	cont	1.8	141.5
FD70-F220055	220	54	0.4	3,000	1.76	cont	1.4	121.5
FD70-F220110	220	108	0.72	3,000	3.5	cont	1.7	141.5

- Pls discuss with us when you place an order non-standardized products such as voltage, speed and others.
- Mass production by standardizing the various types and manufacture the products with special size by order.
- Design or Motor spec. can be changed for quality improvement without any notice.