

FD63 Series (Φ63mm)

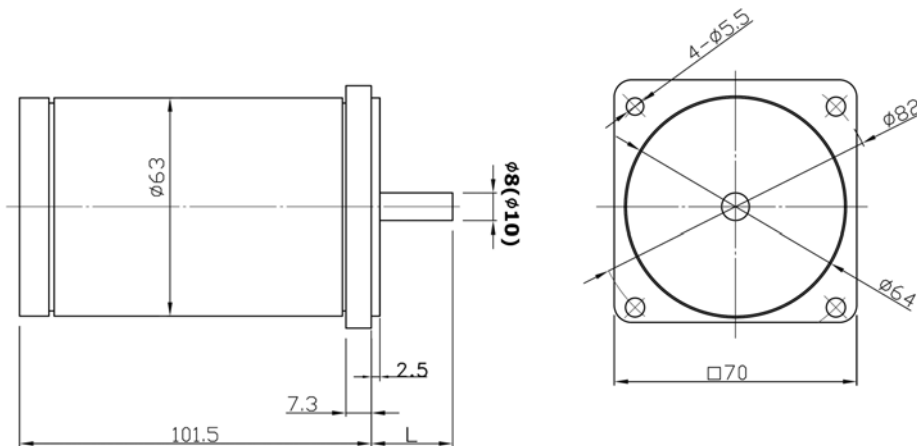
MOTOR FEATURE:

- RATED OUTPUT POWER : 5~80W
- RATED VOLTAGE : 12~90VDC
- OPERATIONAL SPEED : 3000RPM
- MAX. OUTPUT POWER : 240W
- Sleeve/Steel Ball bearing for option
- Replaceable Brush Type for option
- Pinion shaft or other requirement for option



Dimensions

(UNIT:mm)



Typical Specifications (F =ferrite magnet, N= rare earth magnet)

MODEL	Rated						Weight (kg)	Length L (mm)
	Voltage (V)	Output (W)	Current (A)	Speed (RPM)	Torque (kgf-cm)	Rating		
FD63-F012005	12	5	0.6	3,000	0.16	cont	0.7	79
FD63-F012010	12	10	1.2	3,000	0.32	cont	0.8	89
FD63-F012015	12	15	1.8	3,000	0.49	cont	1.0	99
FD63-F012020	12	20	2.4	3,000	0.65	cont	1.2	109
FD63-F024010	24	10	0.6	3,000	0.32	cont	0.7	79
FD63-F024020	24	20	1.2	3,000	0.65	cont	0.8	89
FD63-F024030	24	30	1.8	3,000	0.97	cont	1.0	99
FD63-F024050	24	50	3.0	3,000	1.62	cont	1.2	109
FD63-F090010	90	10	0.2	3,000	0.32	cont	0.7	79
FD63-F090030	90	30	0.5	3,000	0.97	cont	0.8	89
FD63-F090050	90	50	0.8	3,000	1.62	cont	1.0	99
FD63-F090080	90	80	1.2	3,000	2.60	cont	1.2	109

- Pls discuss with us when you place an order non-standardized products such as voltage, speed and others.
- Mass production by standardizing the various types and manufacture the products with special size by order.
- Design or Motor spec. can be changed for quality improvement without any notice.