

FD40 Series (Φ40mm)

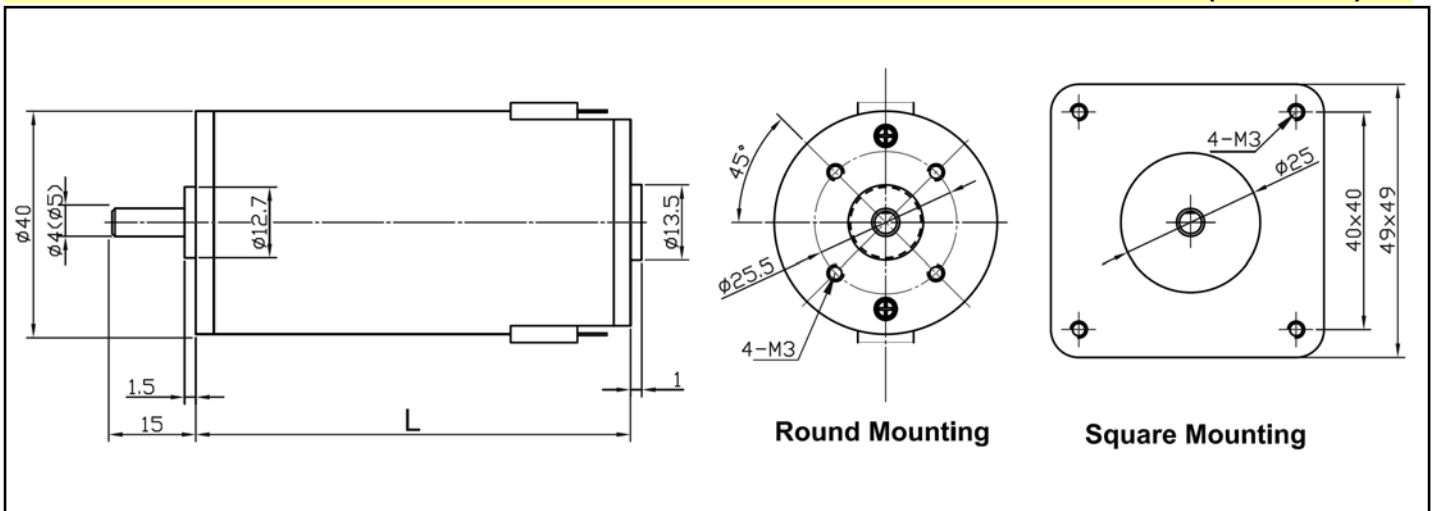
MOTOR FEATURE:

- RATED OUTPUT POWER : 7~35W
- RATED VOLTAGE : 12~24VDC
- OPERATIONAL SPEED : 3000-5000RPM
- MAX. OUTPUT POWER : 105W
- Sleeve/Steel Ball bearing for option
- Replaceable Brush Type for option
- Pinion shaft or other requirement for option



Dimensions

(UNIT:mm)



Typical Specifications (F = ferrite magnet, N = rare earth magnet)

MODEL	Rated Voltage (VDC)	No Load		Rated							Weight (kg)	Length L (mm)
		Speed (RPM)	Current (A)	Output (W)	Current (A)	Speed (RPM)	Torque		Eff. (%)	Rating		
							Oz-in	mNm				
FD4056-F1238	12	3800	0.3	7.0	12	3000	226	22.2	48	cont.	0.33	56
FD4056-F2462	24	6200	0.32	23.2	1.47	4920	460	45.1	66	cont.	0.33	56
FD4061-F1263	12	6300	0.72	27.6	3.47	5000	537	52.7	66	cont.	0.37	61
FD4061-F2463	24	6300	0.35	31.0	1.9	5000	604	59.2	68	cont.	0.37	61
FD4070-F1262	12	6200	0.9	31.9	4.16	4920	632	62.0	64	cont.	0.42	70
FD4070-F2462	24	6200	0.4	33.3	2.4	4920	660	64.7	58	cont.	0.42	70
FD4063-F2440	24	4000	0.3	9.9	0.8	3200	300	29.4	51	cont.	0.38	63
FD4071-F2436	24	3600	0.3	12.3	0.9	3000	400	39.2	57	cont.	0.43	71
FD4071-F2442	24	4200	0.35	25.3	1.8	3800	650	63.7	59	cont.	0.43	71
FD4075-F2448	24	4800	0.4	32.8	2.2	4000	800	78.4	62	cont.	0.45	75

- Pls discuss with us when you place an order non-standardized products such as voltage, speed and others.
- Mass production by standardizing the various types and manufacture the products with special size by order.
- Design or Motor spec. can be changed for quality improvement without any notice.