



ERS-9912SH

EVERMO®
DC MICRO MOTOR
 Carbon-brush motors

OUTPUT :45W~202W (APPROX)

WEIGHT : 640g (APPROX)

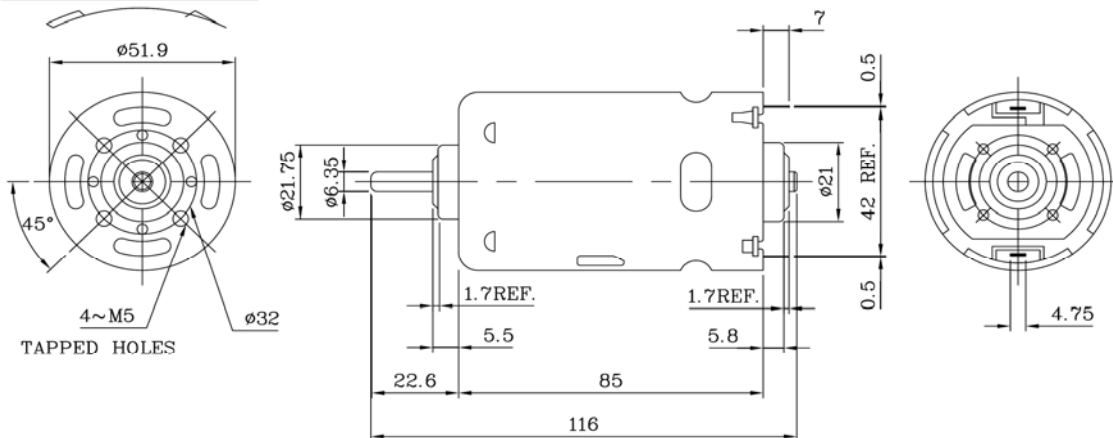
Typical Applications **Cordless Power Tools:** Drill, Cordless Garden Tool, Circular Saw
Others: Air pumps, Electric Fan, Geared Motor, Electric Model toy

Typical Specifications

MODEL	VOLTAGE		NO LOAD		AT MAXIMUM EFFICIENCY					STALL			
	OPERATING RANGE	NOMINAL	SPEED r/min	CURRENT A	SPEED r/min	CURRENT A	TORQUE g.cm	TORQUE mNm	OUTPUT W	EFF. %	TORQUE A	TORQUE g.cm	CURRENT mNm
ERS-9912SH-90001	100~230	230V CONSTANT	4800	0.06	4019	0.31	1100.0	107.80	45.34	64	1.60	6760.0	662.48
ERS-9912SH-90002	100~230	230V CONSTANT	12800	0.20	11020	1.24	1780.0	174.44	201.19	71	7.68	12800.0	1245.40

◎NOTE: 1)Casing ring 2) Ring varister 3) Capacitor for options only.

DIRECTION OF ROTATION



Usable machines screw length 4.0max from motor mounting surface.

UNIT: MILLIMETERS